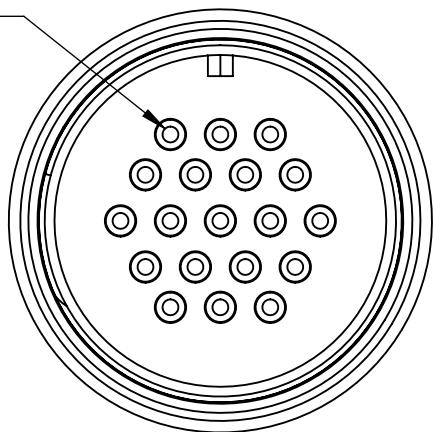
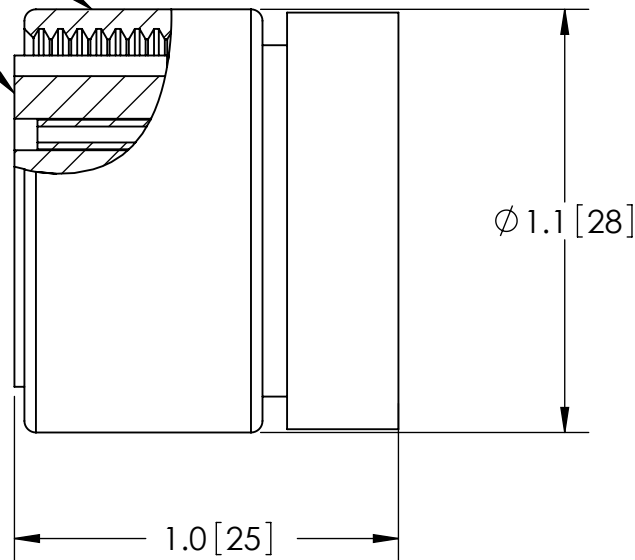


GOLD PLATED
CRIMP/ SOLDER
CONTACTS



STN STL
NUT

PEEK
INSULATOR



RATINGS	
VOLTAGE:	1 KV DC
CURRENT:	3 AMPS
TEMPERATURE:	-269°C TO 200°C

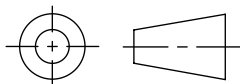
REFER TO INSTRUCTION SHEET "NS13462" FOR PLUG ASSEMBLY INSTRUCTIONS

WWW.SOLIDSEALING.COM

PROPRIETARY AND CONFIDENTIAL

THE INFORMATION CONTAINED IN THIS DRAWING IS THE SOLE PROPERTY OF SOLID SEALING TECHNOLOGY. ANY REPRODUCTION IN PART OR AS A WHOLE WITHOUT THE WRITTEN PERMISSION OF SOLID SEALING TECHNOLOGY IS PROHIBITED.

THIRD ANGLE PROJECTION



TITLE:

19 PIN VACUUM SIDE PLUG



SOLID SEALING TECHNOLOGY, INC.

REV.	APP'D	DATE	SCALE 2:1	DIMENSIONS IN INCHES [mm]	DRAWN	JS	3/24/2008
C2	JF	10/05/2015	MSME0006-01		ENG APPR.	MH	07/08/2008

PART NO. FA13462 REV. C

SALES DWG NO. FA13462SL REV. C2

DIMENSIONS ARE FOR REFERENCE ONLY. UNLESS NOTED, NO TOLERANCES ARE IMPLIED. CONSULT SST TO DISCUSS YOUR SPECIFIC REQUIREMENTS.