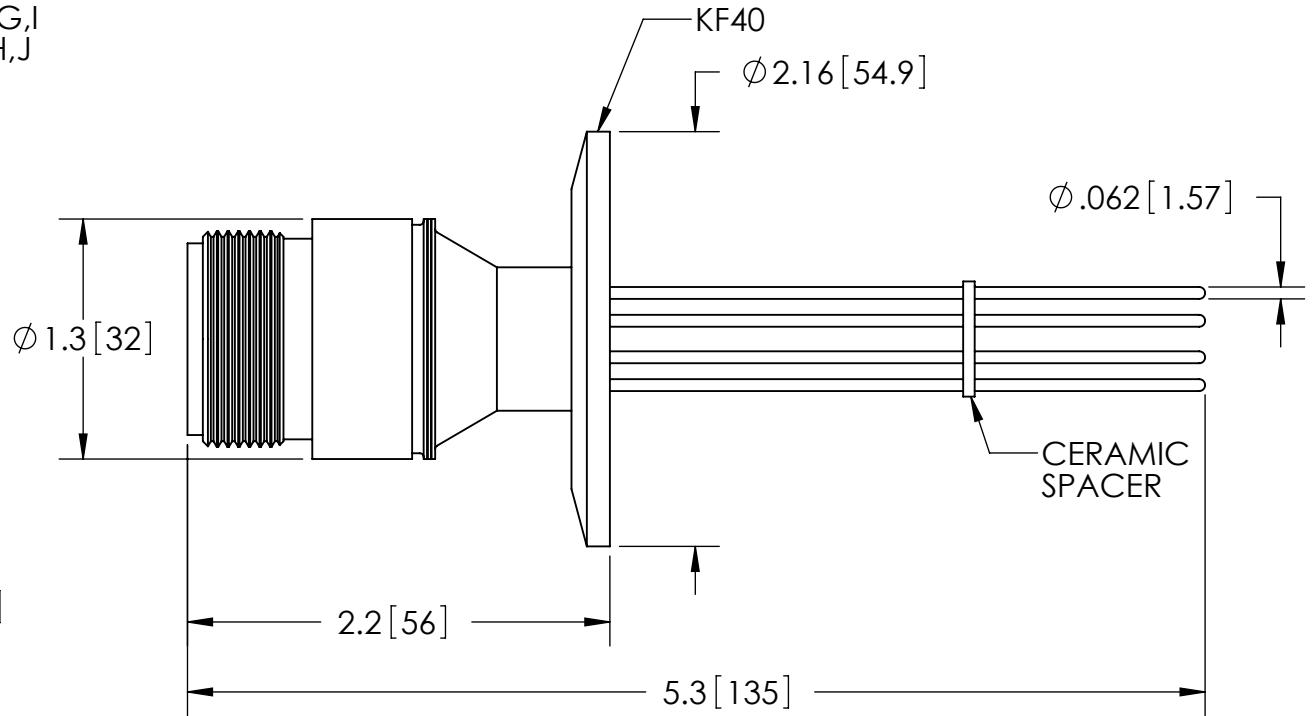
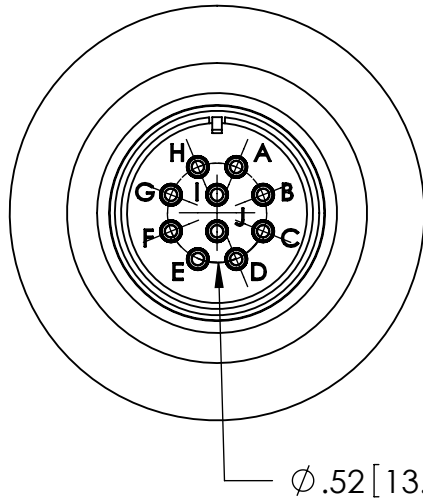


FOR T/C ASSEMBLIES ONLY:
 + CONDUCTOR LOCATIONS: A,C,E,G,I
 - CONDUCTOR LOCATIONS: B,D,F,H,J



| PART NO. | REMARKS | CONDUCTOR MATERIAL | CURRENT | VOLTAGE | AIR SIDE PLUG |
|------------|---------|--------------------|----------|---------|---------------|
| FA14086 | POWER | ALUMEL | 4.8 AMPS | 700V DC | NO |
| KT14086 | POWER | ALUMEL | 4.8 AMPS | 700V DC | YES |
| FA14086-02 | T/C | CHROMEL / ALUMEL | N/A | N/A | NO |
| KT14086-02 | T/C | CHROMEL / ALUMEL | N/A | N/A | YES |

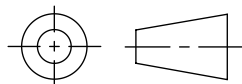
| RATINGS | |
|---------------------------|-------------------|
| CONDUCTOR MATERIAL: | SEE TABLE AT LEFT |
| CURRENT: | SEE TABLE AT LEFT |
| VOLTAGE: | SEE TABLE AT LEFT |
| PRESSURE: | 0 PSIG @ 20°C* |
| TEMPERATURE WITHOUT PLUG: | -25°C TO 205°C |
| TEMPERATURE WITH PLUG: | -25°C TO 125°C |

*FOR INTERNAL PRESSURE 5 TO 100 PSIG AN OVERPRESSURE RING IS REQUIRED.

PROPRIETARY AND CONFIDENTIAL

THE INFORMATION CONTAINED IN THIS DRAWING IS THE SOLE PROPERTY OF SOLID SEALING TECHNOLOGY. ANY REPRODUCTION IN PART OR AS A WHOLE WITHOUT THE WRITTEN PERMISSION OF SOLID SEALING TECHNOLOGY IS PROHIBITED.

THIRD ANGLE PROJECTION



TITLE:

TEN PIN CONNECTOR



SOLID SEALING TECHNOLOGY, INC.

| REV. | APP'D | DATE | SCALE 1:1 | DIMENSIONS IN INCHES [mm] | DRAWN | JS | 8/4/2009 |
|------|-------|------------|--------------|---------------------------|-----------|----|------------|
| A2 | JS | 11/26/2012 | MPDP0015-4ST | | ENG APPR. | MH | 08/07/2009 |

PART NO. (SEE TABLE) REV. A

SALES DWG NO. FA14086SL REV. A2

DIMENSIONS ARE FOR REFERENCE ONLY. UNLESS NOTED, NO TOLERANCES ARE IMPLIED. CONSULT SST TO DISCUSS YOUR SPECIFIC REQUIREMENTS.