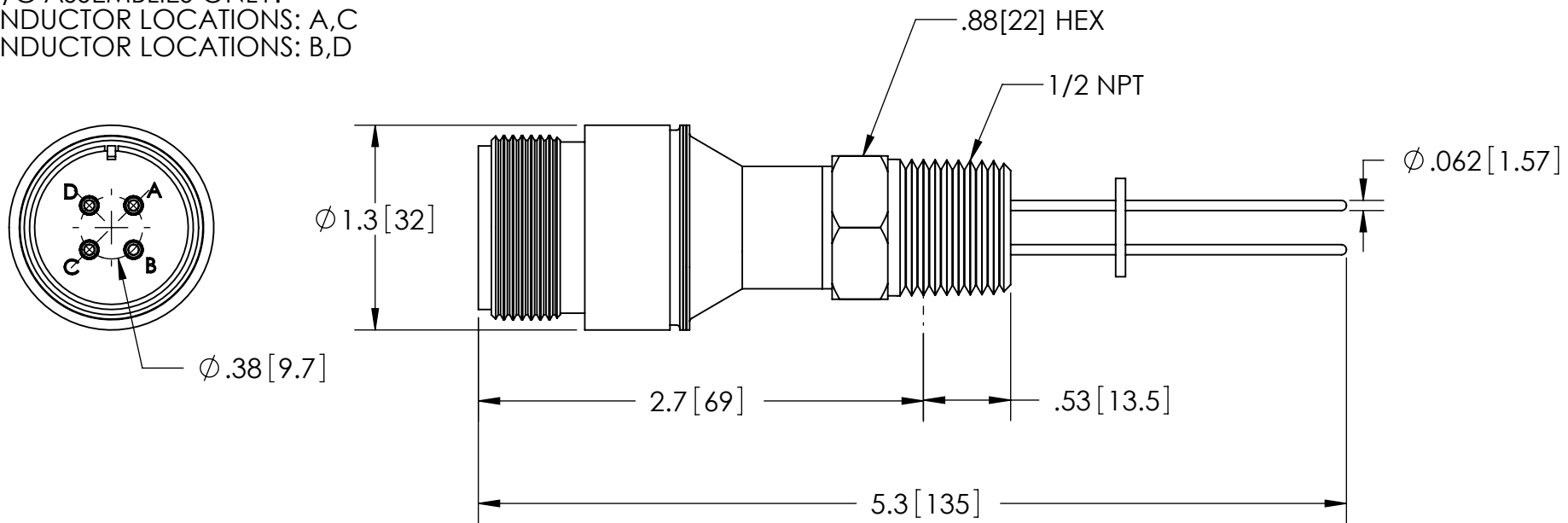


FOR T/C ASSEMBLIES ONLY:
 + CONDUCTOR LOCATIONS: A,C
 - CONDUCTOR LOCATIONS: B,D



PART NO.	REMARKS	CONDUCTOR MATERIAL	CURRENT	VOLTAGE	AIR SIDE PLUG
FA19780	POWER	ALUMEL	4.8 AMPS	700V DC	NO
KT19780	POWER	ALUMEL	4.8 AMPS	700V DC	YES
FA19780-02	T/C	CHROMEL/ALUMEL	N/A	N/A	NO
KT19780-02	T/C	CHROMEL/ALUMEL	N/A	N/A	YES

RATINGS	
CONDUCTOR MATERIAL:	SEE TABLE AT LEFT
CURRENT:	SEE TABLE AT LEFT
VOLTAGE:	SEE TABLE AT LEFT
PRESSURE:	600 PSIG @ 20°C
TEMPERATURE WITHOUT PLUG:	-260°C TO 230°C
TEMPERATURE WITH PLUG:	-55°C TO 125°C

WWW.SOLIDSEALING.COM



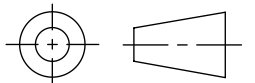
SOLID SEALING TECHNOLOGY, INC.

SALES DWG NO. FA19780SL REV. A1

PROPRIETARY AND CONFIDENTIAL

THE INFORMATION CONTAINED IN THIS DRAWING IS THE SOLE PROPERTY OF SOLID SEALING TECHNOLOGY. ANY REPRODUCTION IN PART OR AS A WHOLE WITHOUT THE WRITTEN PERMISSION OF SOLID SEALING TECHNOLOGY IS PROHIBITED.

THIRD ANGLE PROJECTION



TITLE:

4 PIN PRESSURE CONNECTOR

PART NO. (SEE TABLE) REV. A

REV.	APP'D	DATE	SCALE 1:1	DIMENSIONS IN INCHES [mm]	DRAWN	JS	11/11/2008
A1	MH	11/12/2008	MPDP0045-2ST		ENG APPR.	MH	11/12/2008

DIMENSIONS ARE FOR REFERENCE ONLY. UNLESS NOTED, NO TOLERANCES ARE IMPLIED. CONSULT SST TO DISCUSS YOUR SPECIFIC REQUIREMENTS.