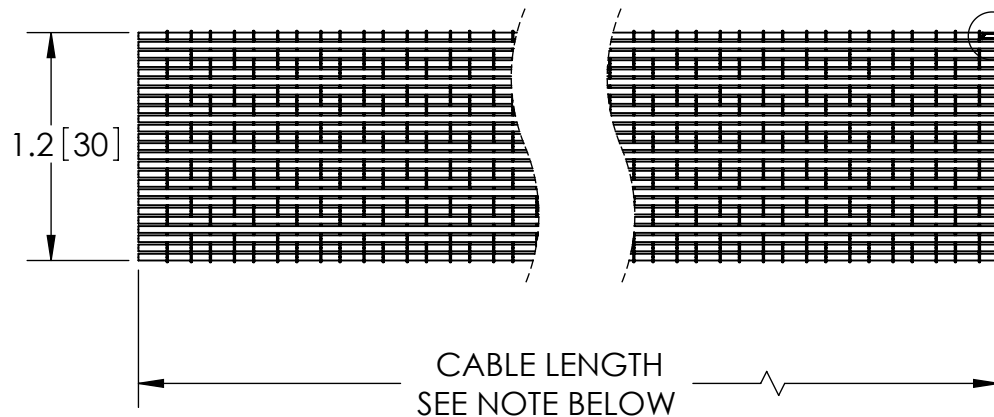
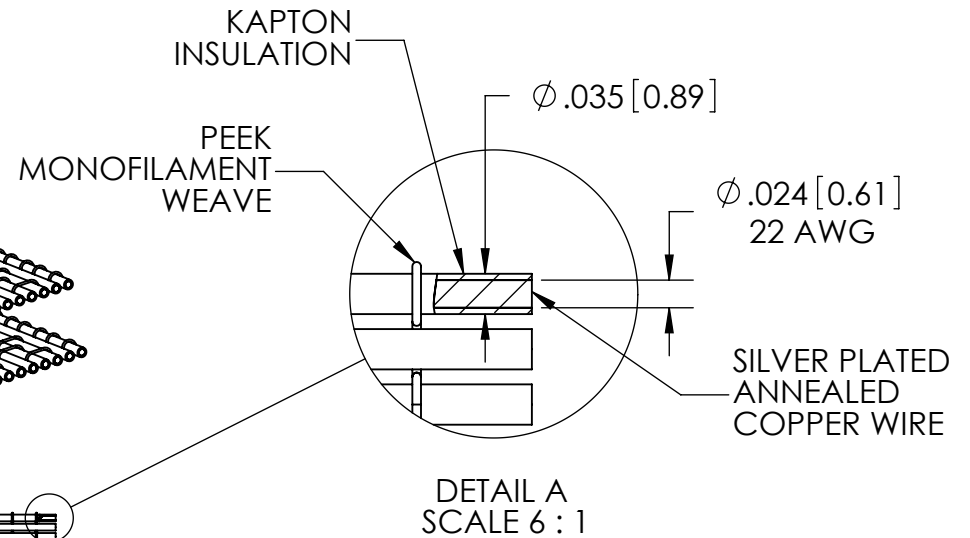
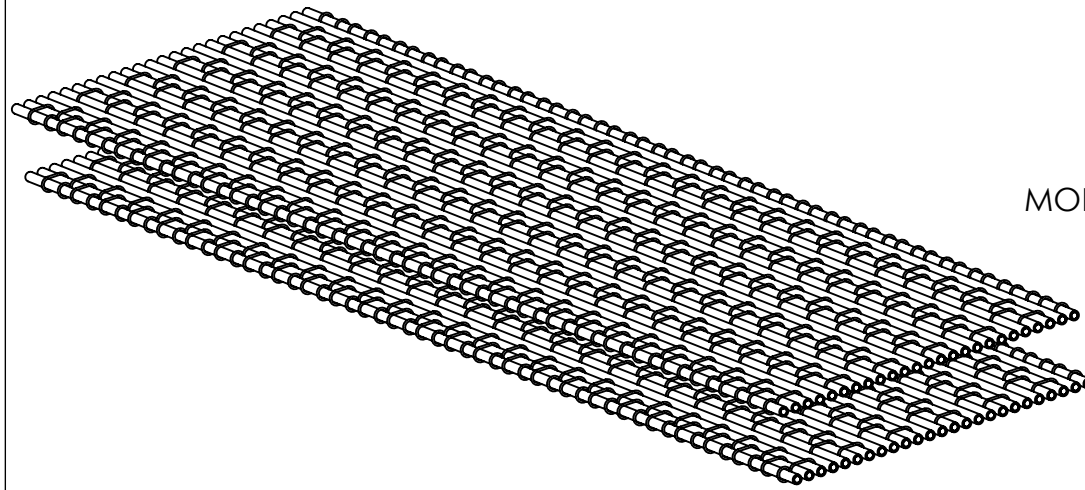


NOTE: THE 50 CONDUCTOR CABLE IS MADE BY USING TWO 25 CONDUCTOR CABLES.



RATINGS	
# OF CONDUCTORS	50
VOLTAGE:	600V RMS/ 2KV DC
CURRENT:	5.5 AMPS PER CONDUCTOR
TEMPERATURE:	-55°C TO 200°C

CABLE IS AVAILABLE IN ANY LENGTH, PART NUMBER SUFFIX INDICATES LENGTH IN INCHES.

EXAMPLE: FA19822-144 IS A 144 INCH LONG CABLE.

WWW.SOLIDSEALING.COM

PROPRIETARY AND CONFIDENTIAL THE INFORMATION CONTAINED IN THIS DRAWING IS THE SOLE PROPERTY OF SOLID SEALING TECHNOLOGY. ANY REPRODUCTION IN PART OR AS A WHOLE WITHOUT THE WRITTEN PERMISSION OF SOLID SEALING TECHNOLOGY IS PROHIBITED.				THIRD ANGLE PROJECTION 			TITLE: <b>22 AWG RIBBON CABLE</b>		 <b>SOLID SEALING TECHNOLOGY, INC.</b>
REV.	APP'D	DATE	SCALE 1:1	DIMENSIONS IN INCHES [mm]	DRAWN	JS	11/19/2008	<b>PART NO. FA19822 REV. A</b>	
A2	JS	07/17/2012	AHDWR004-14		ENG APPR.	MH	11/21/2008		SALES DWG NO. FA19822SL REV. A2

**DIMENSIONS ARE FOR REFERENCE ONLY. UNLESS NOTED, NO TOLERANCES ARE IMPLIED. CONSULT SST TO DISCUSS YOUR SPECIFIC REQUIREMENTS.**