

FA33295-XXX

PART NUMBER

NUMBER OF SMP'S IN FLANGE
eg. 2

AIR SIDE SMP TERMINATION
eg. F=FULL
S=SMOOTH
L=LIMITED

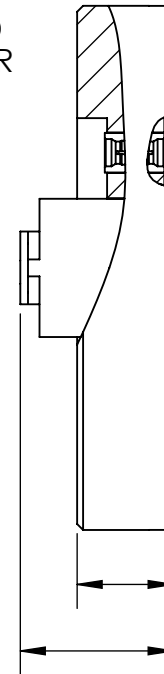
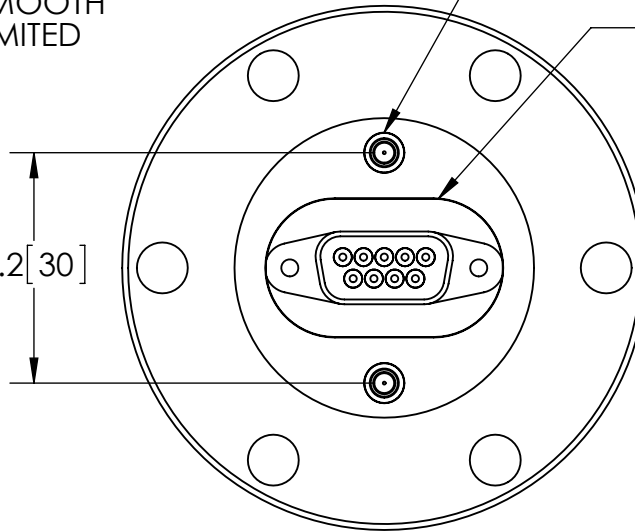
VACUUM SIDE SMP TERMINATION
eg. F=FULL
S=SMOOTH
L=LIMITED

SMP CONNECTOR

9 PIN SUB D CONNECTOR

CF 2.75 SEAL SIDE

1.2 [30]



SMP PERFORMANCE SPECIFICATIONS	
VOLTAGE (DWV):	500 V RMS
INSULATION RESISTANCE:	> 5000 MΩ
TEMPERATURE WITHOUT PLUG:	-269°C TO 450°C

SUB D PERFORMANCE SPECIFICATIONS	
VOLTAGE:	500V DC
CURRENT:	5 AMPS
TEMPERATURE WITHOUT PLUG:	-269°C TO 450°C

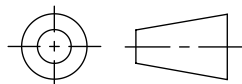
LEAK RATE <1 X 10E-10 ATM-CC/SEC (He)

WWW.SOLIDSEALING.COM

PROPRIETARY AND CONFIDENTIAL

THE INFORMATION CONTAINED IN THIS DRAWING IS THE SOLE PROPERTY OF SOLID SEALING TECHNOLOGY. ANY REPRODUCTION IN PART OR AS A WHOLE WITHOUT THE WRITTEN PERMISSION OF SOLID SEALING TECHNOLOGY IS PROHIBITED.

THIRD ANGLE PROJECTION



TITLE:

SUB D & 50 OHM SMP IN 2.73 CF



SOLID SEALING TECHNOLOGY, INC.

REV.	APP'D	DATE	SCALE 1:1	DIMENSIONS IN INCHES [mm]	DRAWN	MH	1/11/2016
A1	JF	01/26/2016	COSM0006-11		ENG APPR.	JF	01/26/2016

PART NO. FA33295 REV. A

SALES DWG NO. FA33295SL REV. A1

DIMENSIONS ARE FOR REFERENCE ONLY. UNLESS NOTED, NO TOLERANCES ARE IMPLIED. CONSULT SST TO DISCUSS YOUR SPECIFIC REQUIREMENTS.