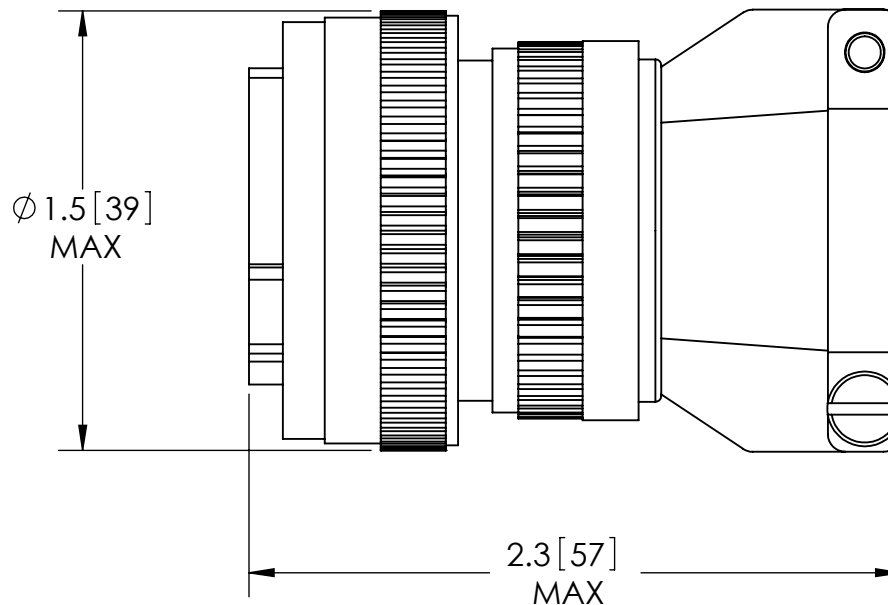
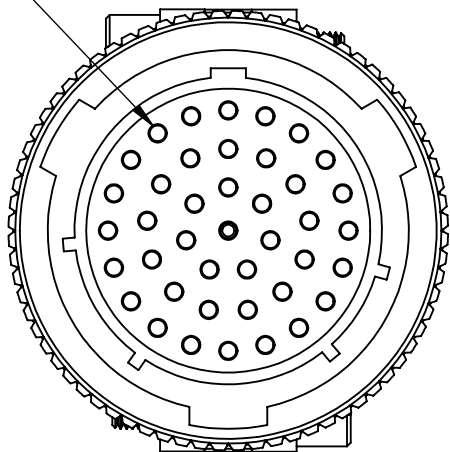


GOLD PLATED
SOLDER CUP
CONTACTS



| RATINGS | |
|--------------|----------------|
| VOLTAGE: | 1 KV DC |
| CURRENT: | 3 AMPS |
| TEMPERATURE: | -55°C TO 125°C |

WWW.SOLIDSEALING.COM



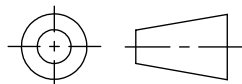
SOLID SEALING TECHNOLOGY, INC.

SALES DWG NO. FP14903SL REV. A2

PROPRIETARY AND CONFIDENTIAL

THE INFORMATION CONTAINED IN THIS DRAWING IS THE SOLE PROPERTY OF SOLID SEALING TECHNOLOGY. ANY REPRODUCTION IN PART OR AS A WHOLE WITHOUT THE WRITTEN PERMISSION OF SOLID SEALING TECHNOLOGY IS PROHIBITED.

THIRD ANGLE PROJECTION



TITLE:

41 PIN AIR SIDE PLUG

PART NO. FP14903 REV. A

| REV. | APP'D | DATE | SCALE 1.5:1 | DIMENSIONS IN INCHES [mm] | DRAWN | JS | 3/24/2008 |
|------|-------|------------|-------------|---------------------------|-----------|----|------------|
| A2 | JS | 12/02/2010 | MSMM0020-12 | | ENG APPR. | MH | 07/08/2008 |

DIMENSIONS ARE FOR REFERENCE ONLY. UNLESS NOTED, NO TOLERANCES ARE IMPLIED. CONSULT SST TO DISCUSS YOUR SPECIFIC REQUIREMENTS.