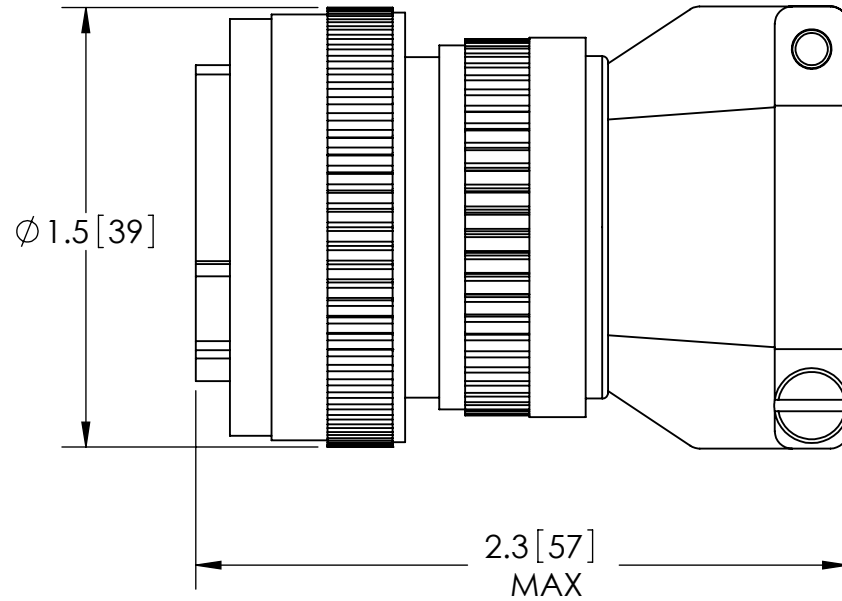
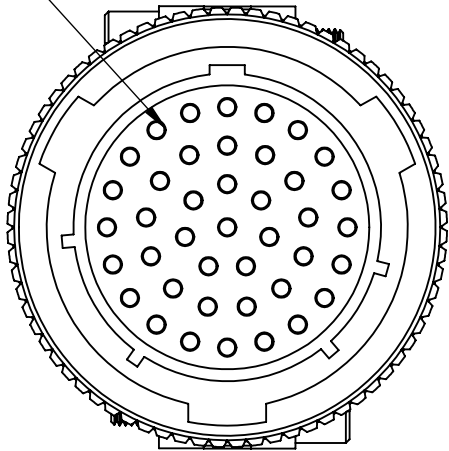


GOLD PLATED
CRIMP CONTACTS

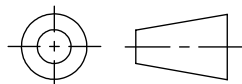


RATINGS	
VOLTAGE:	1 KV DC
CURRENT:	3 AMPS
TEMPERTATURE:	-55°C TO 200°C

PROPRIETARY AND CONFIDENTIAL

THE INFORMATION CONTAINED IN THIS DRAWING IS THE SOLE PROPERTY OF SOLID SEALING TECHNOLOGY. ANY REPRODUCTION IN PART OR AS A WHOLE WITHOUT THE WRITTEN PERMISSION OF SOLID SEALING TECHNOLOGY IS PROHIBITED.

THIRD ANGLE PROJECTION



TITLE:

41 PIN AIR SIDE PLUG

WWW.SOLIDSEALING.COM



SOLID SEALING TECHNOLOGY, INC.

REV.	APP'D	DATE	SCALE 1.5:1	DIMENSIONS IN INCHES [mm]	DRAWN	JS	10/5/2007
A2	JS	12/02/2010	MSMM0020-11		ENG APPR.	MH	07/08/2008

PART NO. KT14381 REV. A

SALES DWG NO. KT14381SL REV. A2

DIMENSIONS ARE FOR REFERENCE ONLY. UNLESS NOTED, NO TOLERANCES ARE IMPLIED. CONSULT SST TO DISCUSS YOUR SPECIFIC REQUIREMENTS.