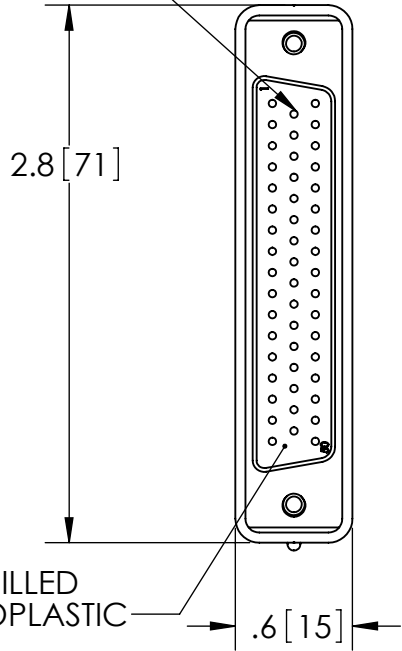
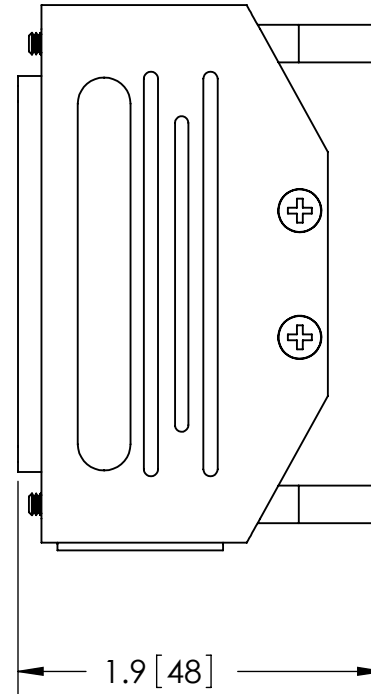


GOLD PLATED  
SOLDER CUP  
CONTACTS



GLASS FILLED  
THERMOPLASTIC



**SPECIFICATIONS**  
 RATED UL94V-0  
 STEEL SHELL W/ YELLOW CHROMATE PLATING  
 GLASS FILLED THERMOPLASTIC INSULATOR  
 BLACK PLASTICHOOD - HINGED W 4-40 THREADED THUMBSCREWS

| RATINGS     |                |
|-------------|----------------|
| VOLTAGE     | 500 V DC       |
| CURRENT     | 5 AMPS         |
| TEMPERATURE | -50°C TO 105°C |

[WWW.SOLIDSEALING.COM](http://WWW.SOLIDSEALING.COM)



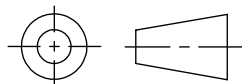
**SOLID SEALING TECHNOLOGY, INC.**

SALES DWG NO. KT14879SL REV. B1

PROPRIETARY AND CONFIDENTIAL

THE INFORMATION CONTAINED IN THIS DRAWING IS THE SOLE PROPERTY OF SOLID SEALING TECHNOLOGY. ANY REPRODUCTION IN PART OR AS A WHOLE WITHOUT THE WRITTEN PERMISSION OF SOLID SEALING TECHNOLOGY IS PROHIBITED.

THIRD ANGLE PROJECTION



TITLE:

50 PIN SUB D AIR SIDE PLUG

PART NO. KT14879 REV. B

| REV. | APP'D | DATE       | SCALE 1:1  | DIMENSIONS IN INCHES [mm] | DRAWN     | MH | 05/23/2008 |
|------|-------|------------|------------|---------------------------|-----------|----|------------|
| B1   | MH    | 05/23/2008 | KT14879-11 |                           | ENG APPR. | MH | 05/23/2008 |

**DIMENSIONS ARE FOR REFERENCE ONLY. UNLESS NOTED, NO TOLERANCES ARE IMPLIED. CONSULT SST TO DISCUSS YOUR SPECIFIC REQUIREMENTS.**