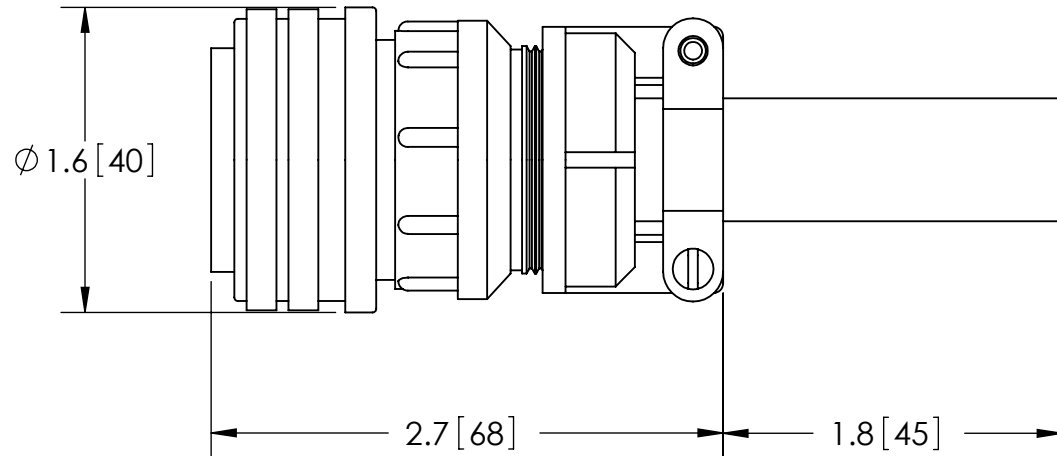
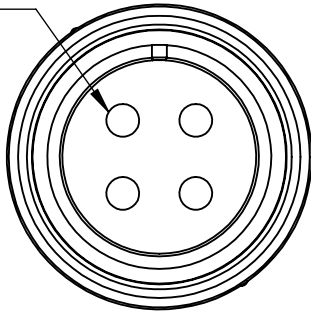


SOLDER CUP CONTACTS



RATINGS	
VOLTAGE:	700 V DC
CURRENT:	46 AMPS
TEMPERATURE:	-55°C TO 125°C

WWW.SOLIDSEALING.COM



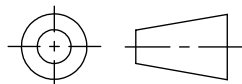
SOLID SEALING TECHNOLOGY, INC.

SALES DWG NO. KT19710SL REV. A1

PROPRIETARY AND CONFIDENTIAL

THE INFORMATION CONTAINED IN THIS DRAWING IS THE SOLE PROPERTY OF SOLID SEALING TECHNOLOGY. ANY REPRODUCTION IN PART OR AS A WHOLE WITHOUT THE WRITTEN PERMISSION OF SOLID SEALING TECHNOLOGY IS PROHIBITED.

THIRD ANGLE PROJECTION



TITLE:

4 PIN AIR SIDE PLUG

PART NO. KT19710 REV. A

REV.	APP'D	DATE	SCALE 1:1	DIMENSIONS IN	DRAWN	JS	11/5/2008
A1	MH	11/11/2008	ME0037-11SM KT197	0 INCHES [mm]	ENG APPR.	MH	11/11/2008

DIMENSIONS ARE FOR REFERENCE ONLY. UNLESS NOTED, NO TOLERANCES ARE IMPLIED. CONSULT SST TO DISCUSS YOUR SPECIFIC REQUIREMENTS.