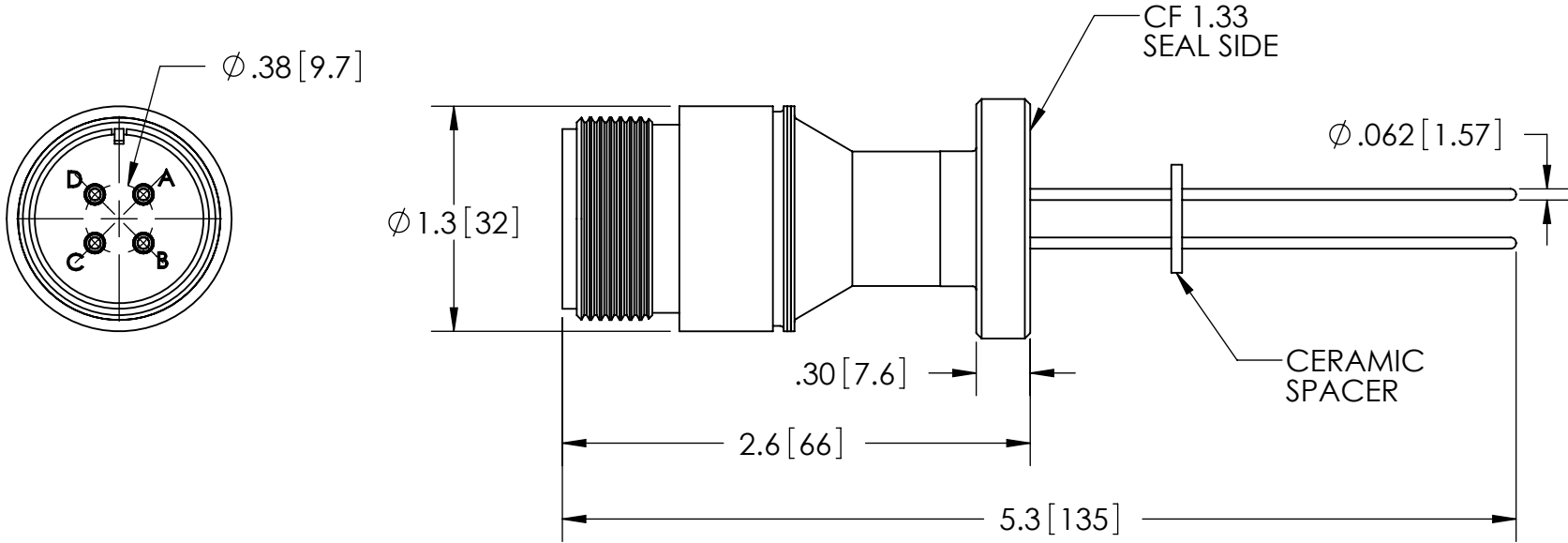


FOR T/C ASSEMBLIES ONLY:
 + CONDUCTOR LOCATIONS: A,C
 - CONDUCTOR LOCATIONS: B,D



PART NO.	REMARKS	CONDUCTOR MATERIAL	CURRENT	VOLTAGE	AIR SIDE PLUG
FA11355	POWER	ALUMEL	4.8 AMPS	700V DC	NO
KT11355	POWER	ALUMEL	4.8 AMPS	700V DC	YES
FA11355-02	T/C	CHROMEL / ALUMEL	N/A	N/A	NO
KT11355-02	T/C	CHROMEL / ALUMEL	N/A	N/A	YES

PERFORMANCE SPECIFICATION	
CONDUCTOR MATERIAL:	SEE TABLE AT LEFT
CURRENT:	SEE TABLE AT LEFT
VOLTAGE:	SEE TABLE AT LEFT
PRESSURE:	600 PSIG @ 20°C
TEMPERATURE WITHOUT PLUG:	-269°C TO 450°C
TEMPERATURE WITH PLUG:	-55°C TO 125°C

PROPRIETARY AND CONFIDENTIAL THE INFORMATION CONTAINED IN THIS DRAWING IS THE SOLE PROPERTY OF SOLID SEALING TECHNOLOGY. ANY REPRODUCTION IN PART OR AS A WHOLE WITHOUT THE WRITTEN PERMISSION OF SOLID SEALING TECHNOLOGY IS PROHIBITED.				THIRD ANGLE PROJECTION 		TITLE FOUR PIN CONNECTOR			
REV.	APP'D	DATE	SCALE 1:1	DIMENSIONS IN INCHES [mm]	DRAWN	JM	1/6/2006	PART NO. (SEE TABLE) REV. C	WWW.SOLIDSEALING.COM
C1	CW	12/1/2020	MPDP0009-0ST		ENG APPR.	MH	05/01/2006		SALES DWG NO. FA11355SL REV. C1

DIMENSIONS ARE FOR REFERENCE ONLY. UNLESS NOTED, NO TOLERANCES ARE IMPLIED. CONSULT SST TO DISCUSS YOUR SPECIFIC REQUIREMENTS.