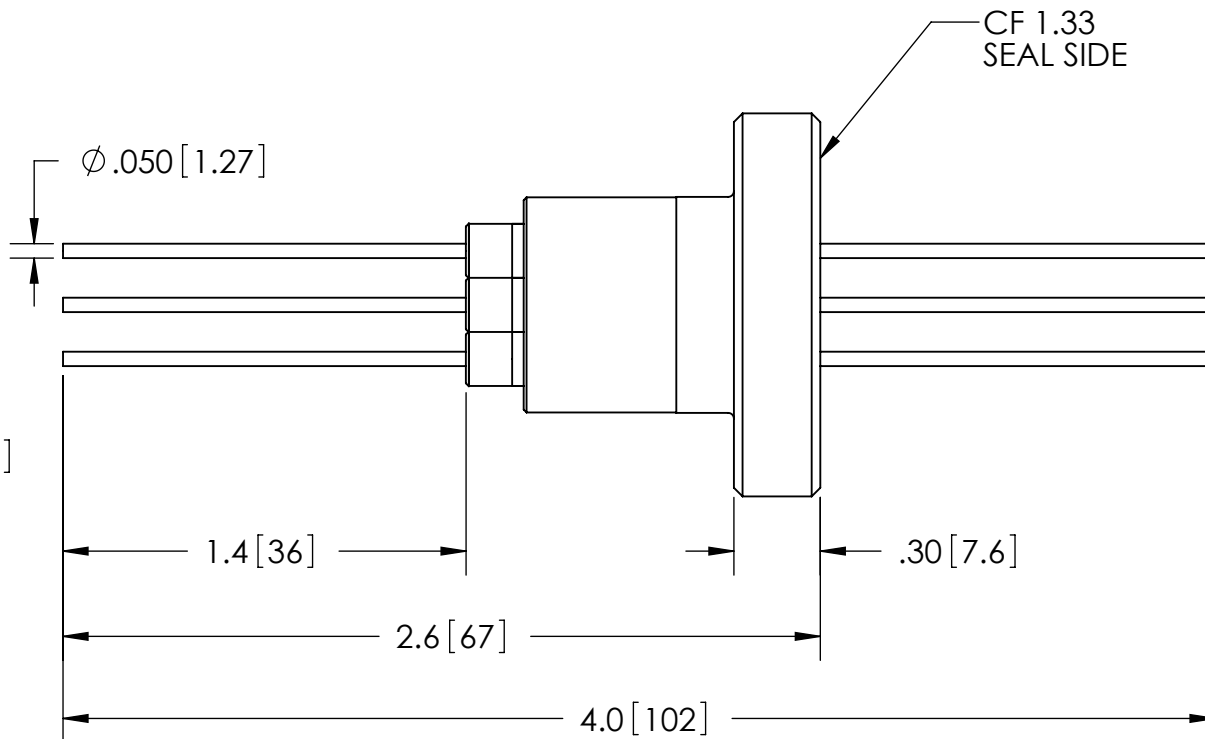


Ø .38 [9.5]

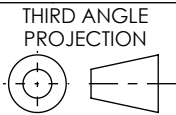


CF 1.33  
SEAL SIDE

PART NO.	CONDUCTOR MATERIAL	CURRENT
FA11646	COPPER	27 AMPS
FA11646-02	MOLYBDENUM	13.5 AMPS
FA11646-03	NICKEL	8.2 AMPS
FA11646-04	304 STN STL	1.8 AMPS

PERFORMANCE SPECIFICATIONS	
VOLTAGE:	3KV DC
CURRENT:	SEE TABLE AT LEFT
PRESSURE:	1250 PSIG @ 20°C
TEMPERATURE:	-269°C TO 450°C

PROPRIETARY AND CONFIDENTIAL  
THE INFORMATION CONTAINED IN THIS DRAWING IS THE SOLE PROPERTY OF SOLID SEALING TECHNOLOGY. ANY REPRODUCTION IN PART OR AS A WHOLE WITHOUT THE WRITTEN PERMISSION OF SOLID SEALING TECHNOLOGY IS PROHIBITED.



TITLE  
FOUR 3KV FEEDTHROUGHS



REV.	APP'D	DATE	SCALE 3:2	DIMENSIONS IN INCHES [mm]	DRAWN	JM	1/12/2006
D1	JF	05/14/2024	MPCLO018-0ST		ENG APPR.	MH	03/21/2006

PART NO. (SEE TABLE) REV. D

WWW.SOLIDSEALING.COM

SALES DWG NO. FA11646SL REV. D1

**DIMENSIONS ARE FOR REFERENCE ONLY. UNLESS NOTED, NO TOLERANCES ARE IMPLIED. CONSULT SST TO DISCUSS YOUR SPECIFIC REQUIREMENTS.**