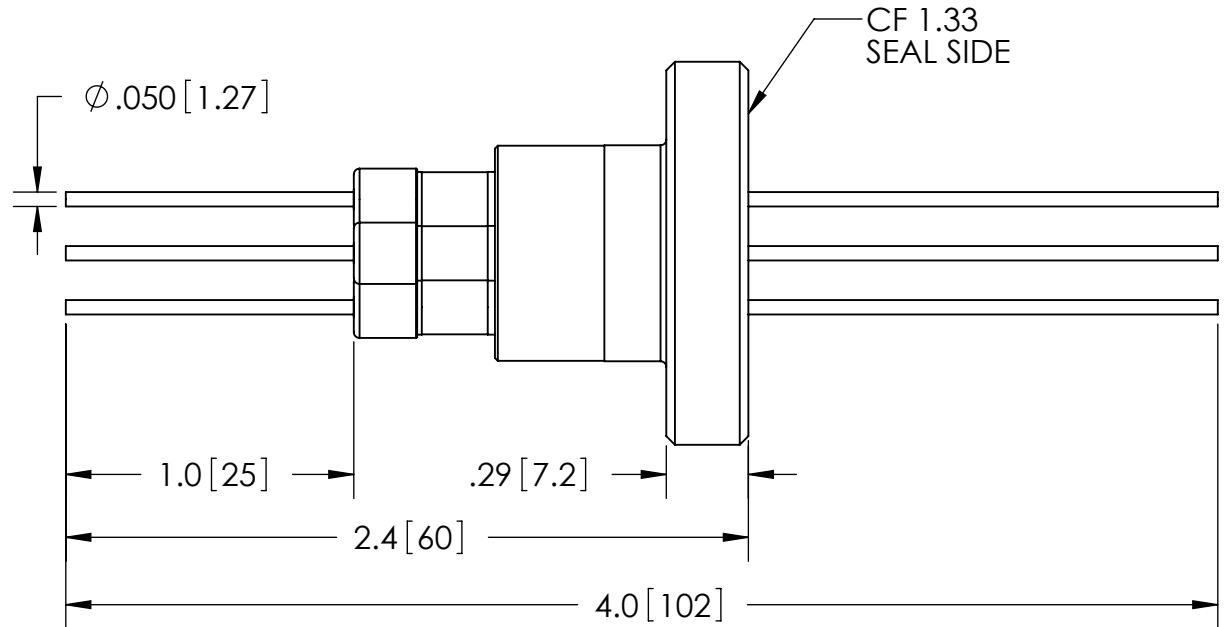


Ø.38 [9.5]



PART NO.	CONDUCTOR MATERIAL	CURRENT
FA11648	COPPER	27 AMPS
FA11648-02	MOLYBDENUM	13.5 AMPS
FA11648-03	NICKEL	8.2 AMPS
FA11648-04	304 STN STL	1.8 AMPS

RATINGS	
VOLTAGE:	6KV DC
CURRENT:	SEE TABLE AT LEFT
PRESSURE:	1250 PSIG @ 20°C
TEMPERATURE:	-269°C TO 450°C

WWW.SOLIDSEALING.COM



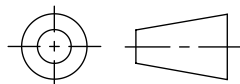
SOLID SEALING TECHNOLOGY, INC.

SALES DWG NO. FA11648SL REV. A2

PROPRIETARY AND CONFIDENTIAL

THE INFORMATION CONTAINED IN THIS DRAWING IS THE SOLE PROPERTY OF SOLID SEALING TECHNOLOGY. ANY REPRODUCTION IN PART OR AS A WHOLE WITHOUT THE WRITTEN PERMISSION OF SOLID SEALING TECHNOLOGY IS PROHIBITED.

THIRD ANGLE PROJECTION



TITLE:

FOUR 6KV FEEDTHROUGHS

PART NO. (SEE TABLE) REV. A

REV.	APP'D	DATE	SCALE 3:2	DIMENSIONS IN INCHES [mm]	DRAWN	JM	2/15/2006
A2	JS	05/02/2013	MPCLO022-0ST		ENG APPR.	MH	08/10/2006

DIMENSIONS ARE FOR REFERENCE ONLY. UNLESS NOTED, NO TOLERANCES ARE IMPLIED. CONSULT SST TO DISCUSS YOUR SPECIFIC REQUIREMENTS.