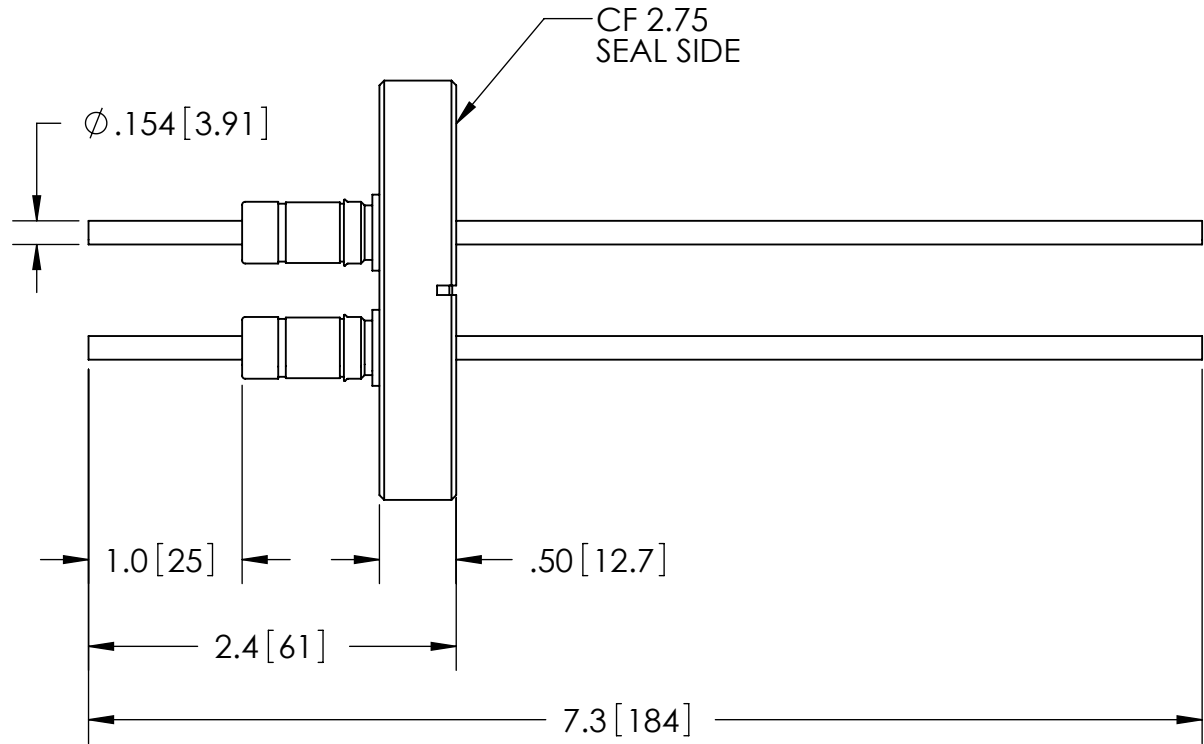


.75 [19.1]



PART NO.	CONDUCTOR MATERIAL	CURRENT
FA12447	COPPER	100 AMPS
FA12447-02	MOLYBDENUM	50 AMPS
FA12447-03	NICKEL	30 AMPS
FA12447-04	304 STN STL	6.5 AMPS

RATINGS	
VOLTAGE:	5KV DC
CURRENT:	SEE TABLE AT LEFT
PRESSURE:	1000 PSIG @ 20°C
TEMPERATURE:	-269°C TO 450°C

WWW.SOLIDSEALING.COM



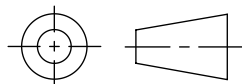
SOLID SEALING TECHNOLOGY, INC.

SALES DWG NO. FA12447SL REV. A2

PROPRIETARY AND CONFIDENTIAL

THE INFORMATION CONTAINED IN THIS DRAWING IS THE SOLE PROPERTY OF SOLID SEALING TECHNOLOGY. ANY REPRODUCTION IN PART OR AS A WHOLE WITHOUT THE WRITTEN PERMISSION OF SOLID SEALING TECHNOLOGY IS PROHIBITED.

THIRD ANGLE PROJECTION



TITLE:

TWO 5KV FEEDTHROUGHS

PART NO. (SEE TABLE) REV. A

REV.	APP'D	DATE	SCALE 4:5	DIMENSIONS IN INCHES [mm]	DRAWN	JM	1/12/2006
A2	JS	05/20/2013	FTST0029-0ST		ENG APPR.	MH	04/28/2006

DIMENSIONS ARE FOR REFERENCE ONLY. UNLESS NOTED, NO TOLERANCES ARE IMPLIED. CONSULT SST TO DISCUSS YOUR SPECIFIC REQUIREMENTS.