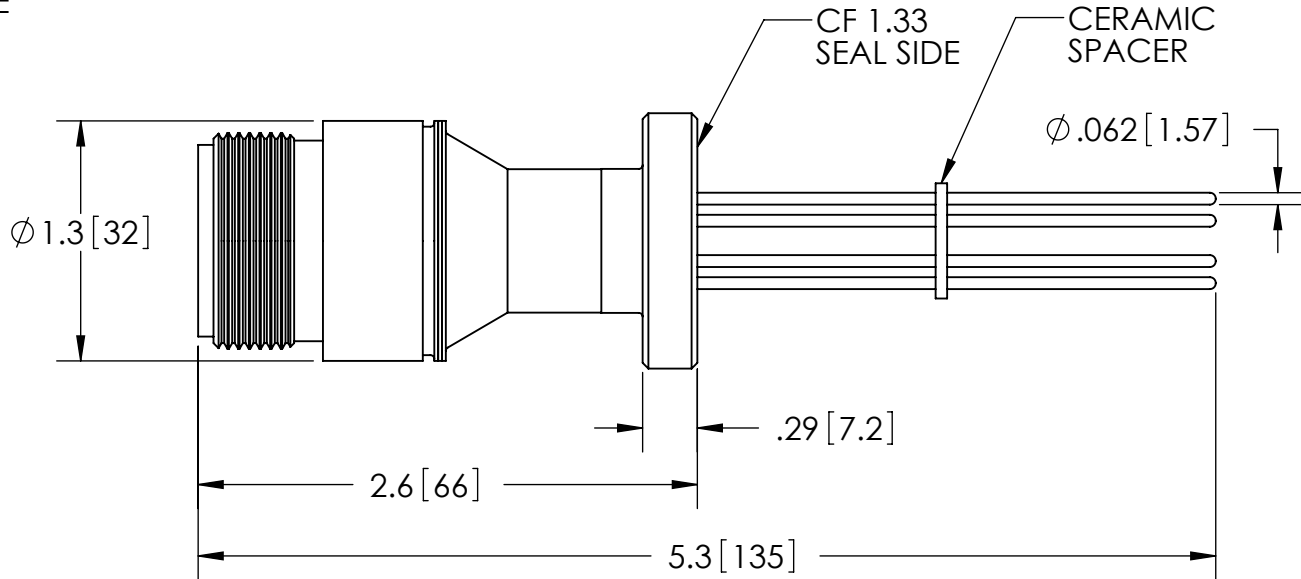
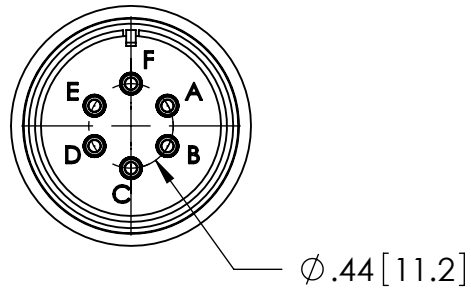


FOR T/C ASSEMBLIES ONLY:
 + CONDUCTOR LOCATIONS: A,C,E
 - CONDUCTOR LOCATIONS: B,D,F



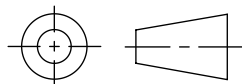
PART NO.	REMARKS	CONDUCTOR MATERIAL	CURRENT	VOLTAGE	AIR SIDE PLUG
FA12534	POWER	ALUMEL	4.8 AMPS	700V DC	NO
KT12534	POWER	ALUMEL	4.8 AMPS	700V DC	YES
FA12534-02	T/C	CHROMEL / ALUMEL	N/A	N/A	NO
KT12534-02	T/C	CHROMEL / ALUMEL	N/A	N/A	YES

RATINGS	
CONDUCTOR MATERIAL:	SEE TABLE AT LEFT
CURRENT:	SEE TABLE AT LEFT
VOLTAGE:	SEE TABLE AT LEFT
PRESSURE:	550 PSIG @ 20°C
TEMPERATURE WITHOUT PLUG:	-269°C TO 450°C
TEMPERATURE WITH PLUG:	-55°C TO 125°C

PROPRIETARY AND CONFIDENTIAL

THE INFORMATION CONTAINED IN THIS DRAWING IS THE SOLE PROPERTY OF SOLID SEALING TECHNOLOGY. ANY REPRODUCTION IN PART OR AS A WHOLE WITHOUT THE WRITTEN PERMISSION OF SOLID SEALING TECHNOLOGY IS PROHIBITED.

THIRD ANGLE PROJECTION



TITLE:

SIX PIN CONNECTOR

WWW.SOLIDSEALING.COM



SOLID SEALING TECHNOLOGY, INC.

REV.	APP'D	DATE	SCALE 1:1	DIMENSIONS IN INCHES [mm]	DRAWN	JM	12/27/2005
B2	JS	11/26/2012	MPDP0012-1ST		ENG APPR.	MH	04/18/2006

PART NO. (SEE TABLE) REV. B

SALES DWG NO. FA12534SL REV. B2