

PLUGS SOLD SEPARATELY:
 -VACUUM SIDE PEEK PLUG FA13461
 -AIR SIDE W/ SOLDER CONTACTS FP14900
 -AIR SIDE W/CRIMP CONTACTS KT14378

RATINGS	
VOLTAGE:	1KV DC
CURRENT:	5 AMPS
PRESSURE:	450 PSIG @ 20°C
TEMPERATURE:	-269°C TO 450°C

WWW.SOLIDSEALING.COM



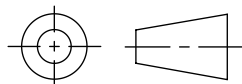
SOLID SEALING TECHNOLOGY, INC.

SALES DWG NO. FA12933SL REV. D1

PROPRIETARY AND CONFIDENTIAL

THE INFORMATION CONTAINED IN THIS DRAWING IS THE SOLE PROPERTY OF SOLID SEALING TECHNOLOGY. ANY REPRODUCTION IN PART OR AS A WHOLE WITHOUT THE WRITTEN PERMISSION OF SOLID SEALING TECHNOLOGY IS PROHIBITED.

THIRD ANGLE PROJECTION



TITLE:

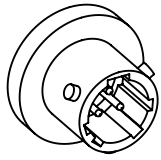
10 PIN CONNECTOR

PART NO. FA12933 REV. D

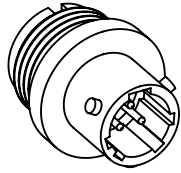
REV.	APP'D	DATE	SCALE 2.5:1	DIMENSIONS IN INCHES [mm]	DRAWN	JM	4/19/2006
D1	JF	08/07/2017	MPCL0055-01SL		ENG APPR.	MH	06/26/2006

DIMENSIONS ARE FOR REFERENCE ONLY. UNLESS NOTED, NO TOLERANCES ARE IMPLIED. CONSULT SST TO DISCUSS YOUR SPECIFIC REQUIREMENTS.

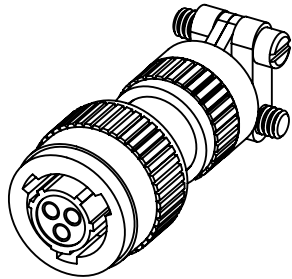
3 PINS



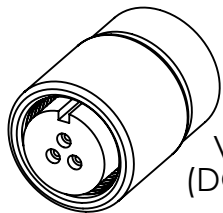
SINGLE ENDED
FEEDTHROUGH:
FA16820



DOUBLE ENDED
FEEDTHROUGH:
FA16822

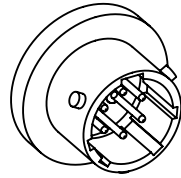


AIR SIDE PLUG (CRIMP): KT18063
AIR SIDE PLUG (SOLDER): FP18062

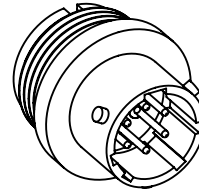


VACUUM SIDE PLUG
(DOUBLE ENDED ONLY):
FA18064

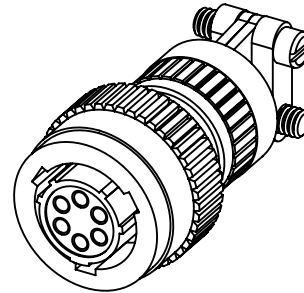
6 PINS



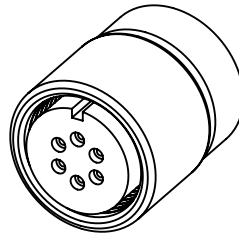
SINGLE ENDED
FEEDTHROUGH:
FA16808



DOUBLE ENDED
FEEDTHROUGH:
FA16809*



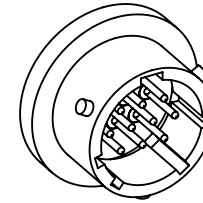
AIR SIDE PLUG (CRIMP): KT18065*
AIR SIDE PLUG (SOLDER): FP18066



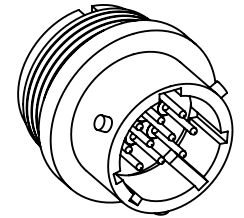
VACUUM SIDE PLUG
(DOUBLE ENDED ONLY):
FA18067*

*THERMOCOUPLE TYPE K
OPTION AVAILABLE

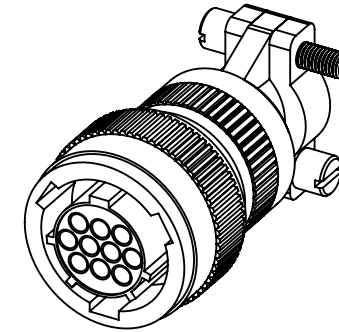
10 PINS



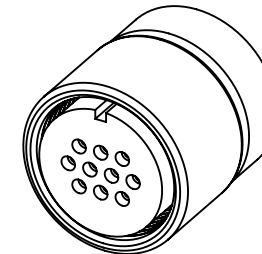
SINGLE ENDED
FEEDTHROUGH:
FA13003



DOUBLE ENDED
FEEDTHROUGH:
FA12933*



AIR SIDE PLUG (CRIMP): KT14378*
AIR SIDE PLUG (SOLDER): FP14900

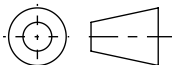


VACUUM SIDE PLUG
(DOUBLE ENDED ONLY):
FA13461*

PROPRIETARY AND CONFIDENTIAL

THE INFORMATION CONTAINED IN THIS DRAWING IS THE
SOLE PROPERTY OF SOLID SEALING TECHNOLOGY. ANY
REPRODUCTION IN PART OR AS A WHOLE WITHOUT THE WRITTEN
PERMISSION OF SOLID SEALING TECHNOLOGY IS PROHIBITED.

THIRD ANGLE
PROJECTION



TITLE

26482 SERIES FAMILY



SOLID SEALING
TECHNOLOGY

REV.	APP'D	DATE	SCALE 1:1	DIMENSIONS IN INCHES [mm]	DRAWN	CW	8/19/2021
A2	JF	01/22/2025	MPCL0163-11	ENG APPR.	JF	1/27/2022	

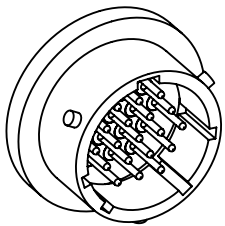
REV: A2

WWW.SOLIDSEALING.COM

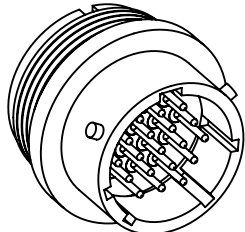
SALES DWG NO. 26482_SERIES REV. A2

DIMENSIONS ARE FOR REFERENCE ONLY. UNLESS NOTED, NO TOLERANCES ARE IMPLIED. CONSULT SST TO DISCUSS YOUR SPECIFIC REQUIREMENTS.

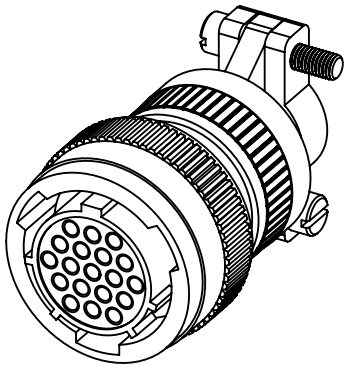
19 PINS



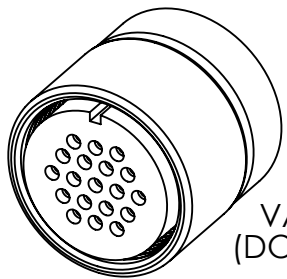
SINGLE ENDED
FEEDTHROUGH:
FA13002



DOUBLE ENDED
FEEDTHROUGH:
FA12932*

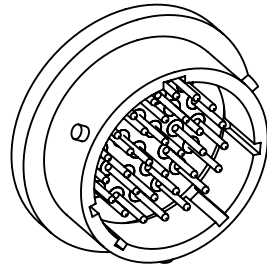


AIR SIDE PLUG (CRIMP): KT14379*
AIR SIDE PLUG (SOLDER): FP14901

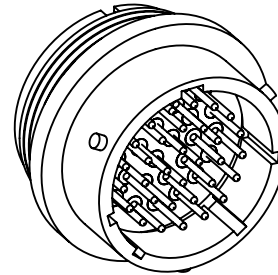


VACUUM SIDE PLUG
(DOUBLE ENDED ONLY):
FA13462*

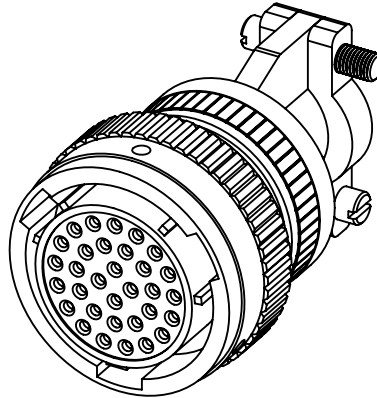
32 PINS



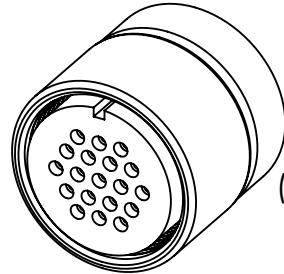
SINGLE ENDED
FEEDTHROUGH:
FA13001



DOUBLE ENDED
FEEDTHROUGH:
FA12931*



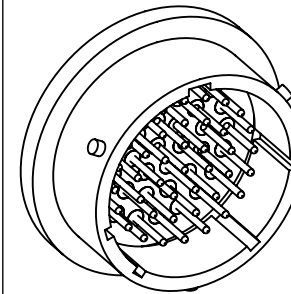
AIR SIDE PLUG (CRIMP): KT14380*
AIR SIDE PLUG (SOLDER): FP14902



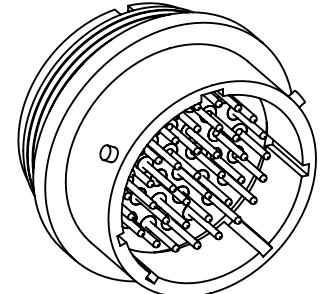
VACUUM SIDE PLUG
(DOUBLE ENDED ONLY):
FA13463*

*THERMOCOUPLE TYPE K
OPTION AVAILABLE

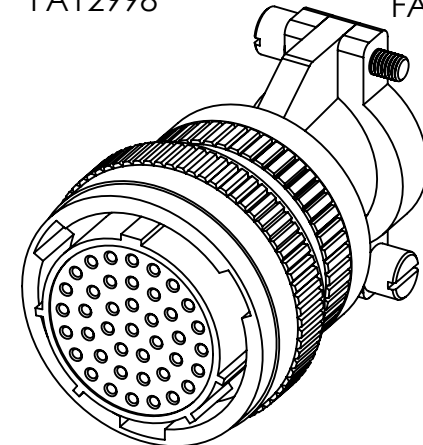
41 PINS



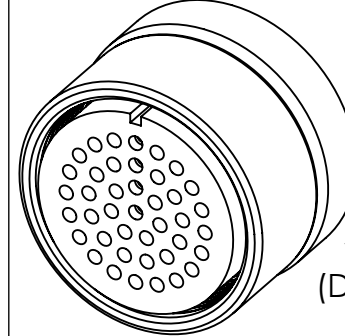
SINGLE ENDED
FEEDTHROUGH:
FA12998



DOUBLE ENDED
FEEDTHROUGH:
FA12930



AIR SIDE PLUG (CRIMP): KT14381
AIR SIDE PLUG (SOLDER): FP14903

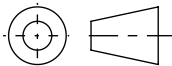


VACUUM SIDE PLUG
(DOUBLE ENDED ONLY):
FA13464

PROPRIETARY AND CONFIDENTIAL

THE INFORMATION CONTAINED IN THIS DRAWING IS THE
SOLE PROPERTY OF SOLID SEALING TECHNOLOGY. ANY
REPRODUCTION IN PART OR AS A WHOLE WITHOUT THE WRITTEN
PERMISSION OF SOLID SEALING TECHNOLOGY IS PROHIBITED.

THIRD ANGLE
PROJECTION



TITLE

26482 SERIES FAMILY



SOLID SEALING
TECHNOLOGY

REV.	APP'D	DATE	SCALE 1:1	DIMENSIONS IN INCHES [mm]	DRAWN	CW	8/19/2021
A2	JF	01/22/2025	MPLC0054-02		ENG APPR.	JF	1/27/2022

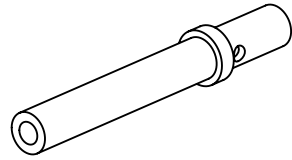
REV: A2

WWW.SOLIDSEALING.COM

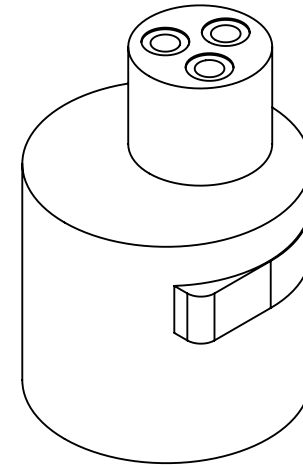
SALES DWG NO. 26482_SERIES REV. A2

DIMENSIONS ARE FOR REFERENCE ONLY. UNLESS NOTED, NO TOLERANCES ARE IMPLIED. CONSULT SST TO DISCUSS YOUR SPECIFIC REQUIREMENTS.

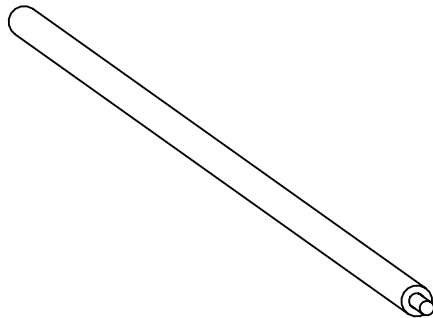
CONTACTS/WIRE/CRIMP TOOL/LOCATOR



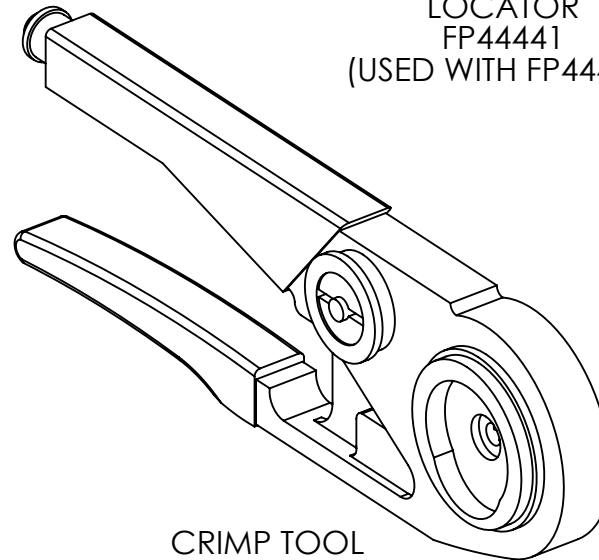
CRIMP CONTACTS
 KT13353 (COPPER ALLOY)
 KT13353-02 (CHROMEL)**
 KT13353-03 (ALUMEL)**
 KT13353-11 (COPPER ALLOY,
 NO COLOR BANDS)



LOCATOR
 FP44441
 (USED WITH FP44440)



22 AWG WIRE
 KAPTON
 (CUSTOM LENGTHS AVAILABLE)
 FA15065



CRIMP TOOL
 FP44440

**THERMOCOUPLE TYPE K CRIMP CONTACTS

PROPRIETARY AND CONFIDENTIAL THE INFORMATION CONTAINED IN THIS DRAWING IS THE SOLE PROPERTY OF SOLID SEALING TECHNOLOGY. ANY REPRODUCTION IN PART OR AS A WHOLE WITHOUT THE WRITTEN PERMISSION OF SOLID SEALING TECHNOLOGY IS PROHIBITED.				THIRD ANGLE PROJECTION 		TITLE 26482 SERIES FAMILY			
REV.	APP'D	DATE	SCALE 1:1	DIMENSIONS IN INCHES [mm]	DRAWN	CW	8/19/2021	REV: A2 WWW.SOLIDSEALING.COM	
A2	JF	01/22/2025	ACDCN010-1ST	ENG APPR.	JF	1/27/2022	SALES DWG NO. 26482_SERIES REV. A2		

DIMENSIONS ARE FOR REFERENCE ONLY. UNLESS NOTED, NO TOLERANCES ARE IMPLIED. CONSULT SST TO DISCUSS YOUR SPECIFIC REQUIREMENTS.