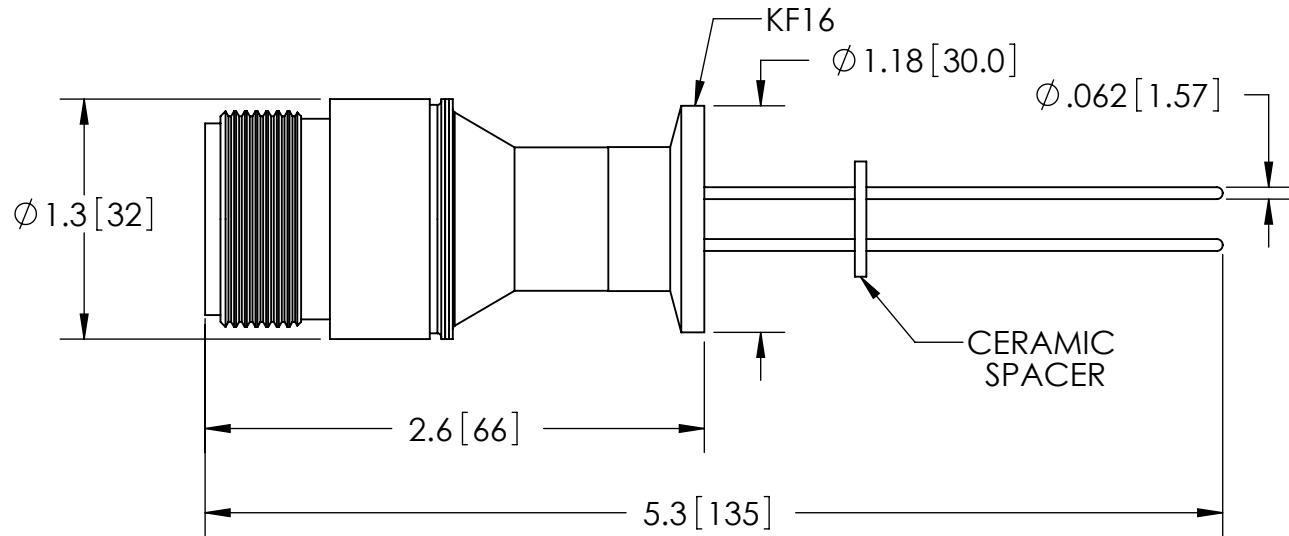
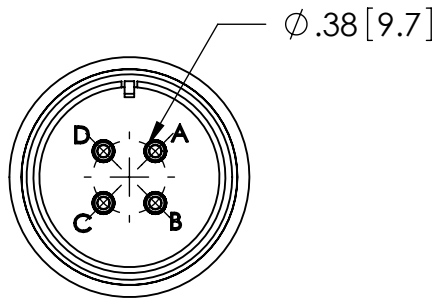


FOR T/C ASSEMBLIES ONLY:
 + CONDUCTOR LOCATIONS: A,C
 - CONDUCTOR LOCATIONS: B,D



PART NO.	REMARKS	CONDUCTOR MATERIAL	CURRENT	VOLTAGE	AIR SIDE PLUG
FA13010	POWER	ALUMEL	4.8 AMPS	700 V DC	NO
KT13010	POWER	ALUMEL	4.8 AMPS	700 V DC	YES
FA13010-02	T/C	CHROMEL/ALUMEL	N/A	N/A	NO
KT13010-02	T/C	CHROMEL/ALUMEL	N/A	N/A	YES

PERFORMANCE SPECIFICATIONS	
CONDUCTOR MATERIAL:	SEE TABLE AT LEFT
CURRENT:	SEE TABLE AT LEFT
VOLTAGE:	SEE TABLE AT LEFT
PRESSURE:	0 PSIG @ 20°C*
TEMPERATURE WITHOUT PLUG:	-25°C TO 205°C
TEMPERATURE WITH PLUG:	-25°C TO 125°C

*FOR INTERNAL PRESSURE 5 TO 100 PSIG AN OVERPRESSURE RING IS REQUIRED.

PROPRIETARY AND CONFIDENTIAL THE INFORMATION CONTAINED IN THIS DRAWING IS THE SOLE PROPERTY OF SOLID SEALING TECHNOLOGY. ANY REPRODUCTION IN PART OR AS A WHOLE WITHOUT THE WRITTEN PERMISSION OF SOLID SEALING TECHNOLOGY IS PROHIBITED.				THIRD ANGLE PROJECTION 		TITLE FOUR PIN CONNECTOR			
REV.	APP'D	DATE	SCALE 1:1	DIMENSIONS IN INCHES [mm]	DRAWN	EB	5/24/2006	PART NO. (SEE TABLE) REV. A	WWW.SOLIDSEALING.COM
A3	JS	11/26/2012	MPDP0009-1ST		ENG APPR.	MH	08/23/2006		SALES DWG NO. FA13010SL REV. A3

DIMENSIONS ARE FOR REFERENCE ONLY. UNLESS NOTED, NO TOLERANCES ARE IMPLIED. CONSULT SST TO DISCUSS YOUR SPECIFIC REQUIREMENTS.