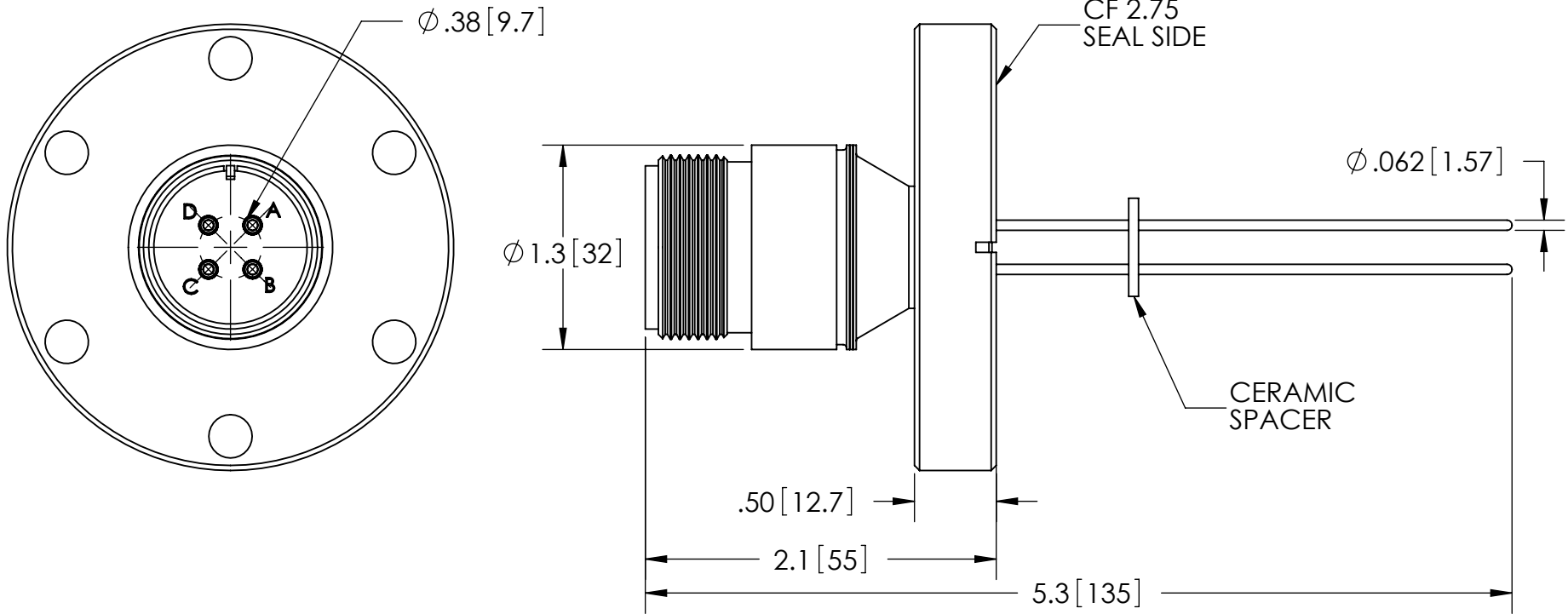


FOR T/C ASSEMBLIES ONLY:  
 + CONDUCTOR LOCATIONS: A,C  
 - CONDUCTOR LOCATIONS: B,D



PART NO.	REMARKS	CONDUCTOR MATERIAL	CURRENT	VOLTAGE	AIR SIDE PLUG
FA13129	POWER	ALUMEL	4.8 AMPS	700V DC	NO
KT13129	POWER	ALUMEL	4.8 AMPS	700V DC	YES
FA13129-02	T/C	CHROMEL/ALUMEL	N/A	N/A	NO
KT13129-02	T/C	CHROMEL/ALUMEL	N/A	N/A	YES

RATINGS	
CONDUCTOR MATERIAL:	SEE TABLE AT LEFT
CURRENT:	SEE TABLE AT LEFT
VOLTAGE:	SEE TABLE AT LEFT
PRESSURE:	600 PSIG @ 20°C
TEMPERATURE WITHOUT PLUG:	-269°C TO 450°C
TEMPERATURE WITH PLUG:	-55°C TO 125°C

[WWW.SOLIDSEALING.COM](http://WWW.SOLIDSEALING.COM)



**SOLID SEALING TECHNOLOGY, INC.**

SALES DWG NO. FA13129SL REV. A3

PROPRIETARY AND CONFIDENTIAL

THE INFORMATION CONTAINED IN THIS DRAWING IS THE SOLE PROPERTY OF SOLID SEALING TECHNOLOGY. ANY REPRODUCTION IN PART OR AS A WHOLE WITHOUT THE WRITTEN PERMISSION OF SOLID SEALING TECHNOLOGY IS PROHIBITED.

THIRD ANGLE PROJECTION



TITLE:

FOUR PIN FEEDTHROUGH

PART NO. (SEE TABLE) REV. A

REV.	APP'D	DATE	SCALE 1:1	DIMENSIONS IN INCHES [mm]	DRAWN	MH	06/06/2006
A3	JS	11/26/2012	MPDP0009-3ST		ENG APPR.	MH	06/06/2006