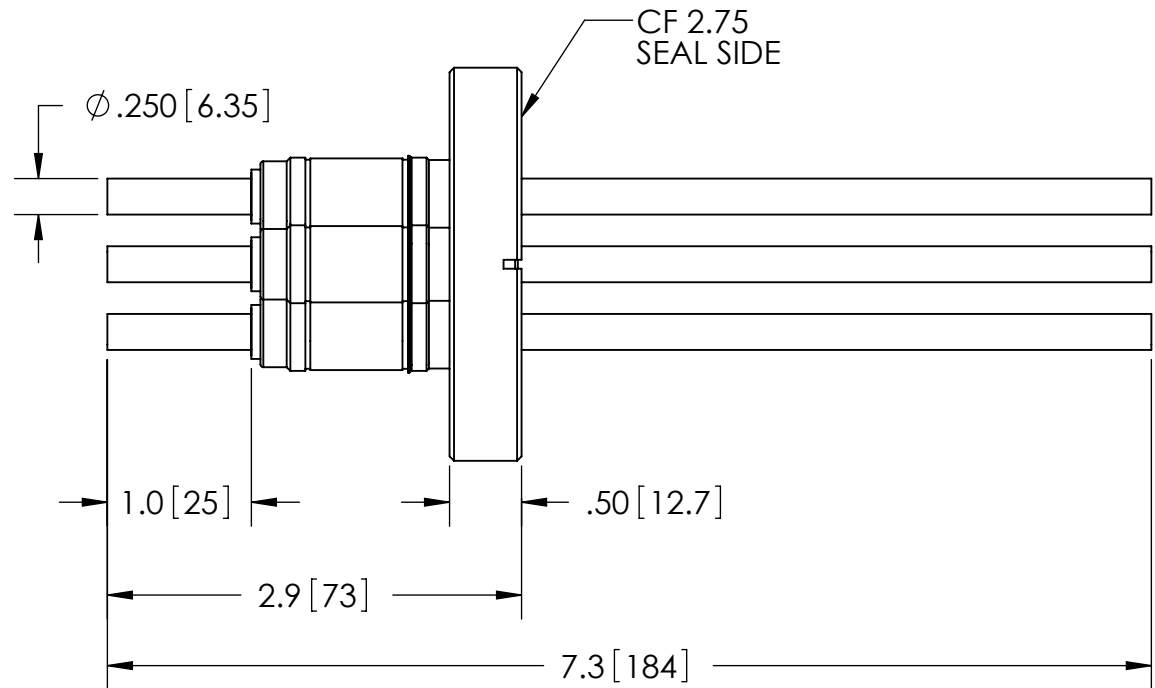


Ø.94 [23.9]



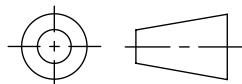
| PART NO. | CONDUCTOR MATERIAL | CURRENT |
|------------|--------------------|----------|
| FA13156 | COPPER | 185 AMPS |
| FA13156-02 | MOLYBDENUM | 93 AMPS |
| FA13156-03 | NICKEL | 56 AMPS |
| FA13156-04 | 304 STN STL | 12 AMPS |

| RATINGS | |
|--------------|-------------------|
| VOLTAGE: | 12KV DC |
| CURRENT: | SEE TABLE AT LEFT |
| PRESSURE: | 750 PSIG @ 20°C |
| TEMPERATURE: | -269°C TO 450°C |

PROPRIETARY AND CONFIDENTIAL

THE INFORMATION CONTAINED IN THIS DRAWING IS THE SOLE PROPERTY OF SOLID SEALING TECHNOLOGY. ANY REPRODUCTION IN PART OR AS A WHOLE WITHOUT THE WRITTEN PERMISSION OF SOLID SEALING TECHNOLOGY IS PROHIBITED.

THIRD ANGLE PROJECTION



TITLE:

FOUR 12KV FEEDTHROUGHS

WWW.SOLIDSEALING.COM



SOLID SEALING TECHNOLOGY, INC.

| REV. | APP'D | DATE | SCALE 3:4 | DIMENSIONS IN INCHES [mm] | DRAWN | JM | 2/22/2006 |
|------|-------|------------|--------------|---------------------------|-----------|----|------------|
| A2 | JS | 05/20/2013 | MPST0021-0ST | | ENG APPR. | MH | 03/23/2006 |

PART NO. (SEE TABLE) REV. A

SALES DWG NO. FA13156SL REV. A2

DIMENSIONS ARE FOR REFERENCE ONLY. UNLESS NOTED, NO TOLERANCES ARE IMPLIED. CONSULT SST TO DISCUSS YOUR SPECIFIC REQUIREMENTS.