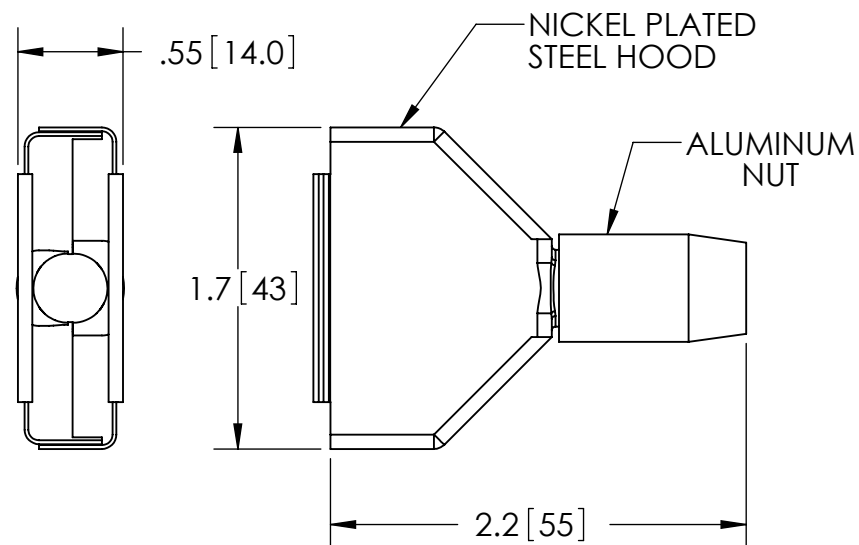


VACUUM PLUG



BACKSHELL

PART NO.	BACKSHELL INCLUDED
FA13605	NO
KT13605	YES

RATINGS	
VOLTAGE:	500 V DC
CURRENT:	5 AMPS
TEMPERATURE:	-269°C TO 200°C

WWW.SOLIDSEALING.COM



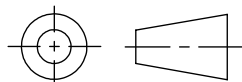
SOLID SEALING TECHNOLOGY, INC.

SALES DWG NO. FA13605SL REV. B2

PROPRIETARY AND CONFIDENTIAL

THE INFORMATION CONTAINED IN THIS DRAWING IS THE SOLE PROPERTY OF SOLID SEALING TECHNOLOGY. ANY REPRODUCTION IN PART OR AS A WHOLE WITHOUT THE WRITTEN PERMISSION OF SOLID SEALING TECHNOLOGY IS PROHIBITED.

THIRD ANGLE PROJECTION



TITLE:

25 PIN SUB-D VACUUM PLUG

PART NO. FA13605 REV. B

REV.	APP'D	DATE	SCALE 1:1	DIMENSIONS IN INCHES [mm]	DRAWN	MH	10/27/2006
B2	MH	12/22/2009	MSME0017-01		ENG APPR.	MH	10/27/2006

**DIMENSIONS ARE FOR REFERENCE ONLY. UNLESS NOTED, NO TOLERANCES ARE IMPLIED. CONSULT SST TO DISCUSS YOUR SPECIFIC REQUIREMENTS.**