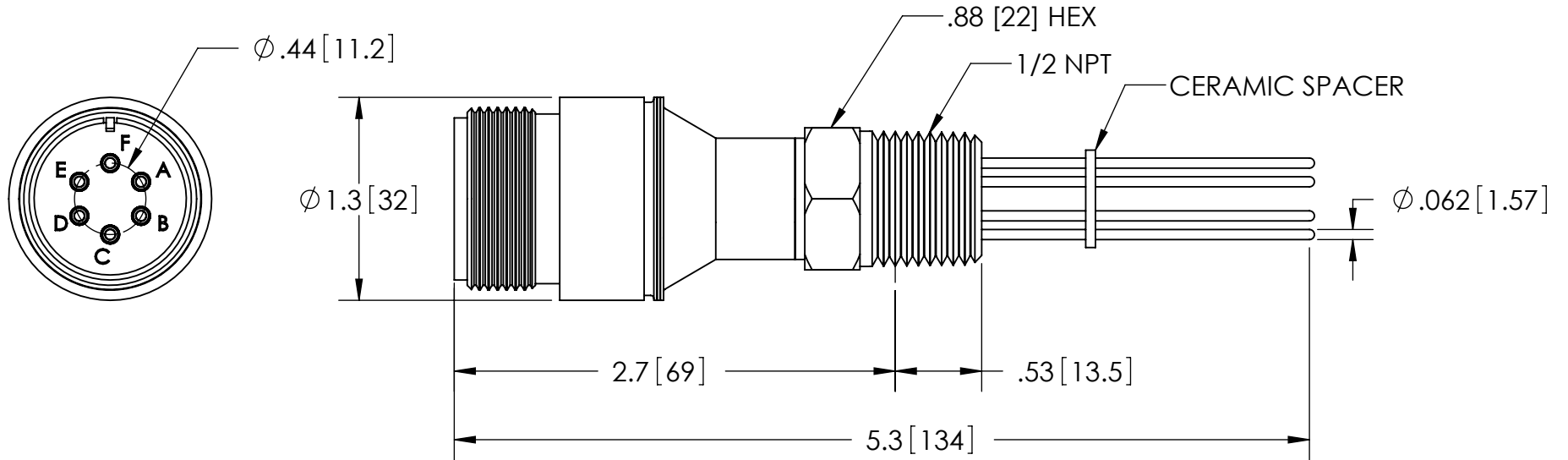


FOR T/C ASSEMBLIES ONLY:  
 + CONDUCTOR LOCATIONS: A,C,E  
 - CONDUCTOR LOCATIONS: B,D,F



| PART NO.   | REMARKS | CONDUCTOR MATERIAL | CURRENT  | VOLTAGE  | AIR SIDE PLUG |
|------------|---------|--------------------|----------|----------|---------------|
| FA14489    | POWER   | ALL ALUMEL         | 4.8 AMPS | 700 V DC | NO            |
| KT14489    | POWER   | ALL ALUMEL         | 4.8 AMPS | 700 V DC | YES           |
| FA14489-02 | T/C     | CHROMEL / ALUMEL   | N/A      | N/A      | NO            |
| KT14489-02 | T/C     | CHROMEL / ALUMEL   | N/A      | N/A      | YES           |

| RATINGS                   |                   |
|---------------------------|-------------------|
| CONDUCTOR MATERIAL:       | SEE TABLE AT LEFT |
| CURRENT:                  | SEE TABLE AT LEFT |
| VOLTAGE:                  | SEE TABLE AT LEFT |
| PRESSURE:                 | 550 PSIG @ 20°C   |
| TEMPERATURE WITHOUT PLUG: | -260°C TO 230°C   |
| TEMPERATURE WITH PLUG:    | -55°C TO 125°C    |

WWW.SOLIDSEALING.COM



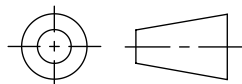
SOLID SEALING TECHNOLOGY, INC.

SALES DWG NO. FA14489SL REV. B1

PROPRIETARY AND CONFIDENTIAL

THE INFORMATION CONTAINED IN THIS DRAWING IS THE SOLE PROPERTY OF SOLID SEALING TECHNOLOGY. ANY REPRODUCTION IN PART OR AS A WHOLE WITHOUT THE WRITTEN PERMISSION OF SOLID SEALING TECHNOLOGY IS PROHIBITED.

THIRD ANGLE PROJECTION



TITLE:

6 PIN PRESSURE CONNECTOR

PART NO. (SEE TABLE) REV. B

| REV. | APP'D | DATE       | SCALE 1:1    | DIMENSIONS IN INCHES [mm] | DRAWN     | EB | 5/22/2006  |
|------|-------|------------|--------------|---------------------------|-----------|----|------------|
| B1   | MH    | 11/11/2008 | MPDP0045-0ST |                           | ENG APPR. | MH | 08/24/2006 |

**DIMENSIONS ARE FOR REFERENCE ONLY. UNLESS NOTED, NO TOLERANCES ARE IMPLIED. CONSULT SST TO DISCUSS YOUR SPECIFIC REQUIREMENTS.**