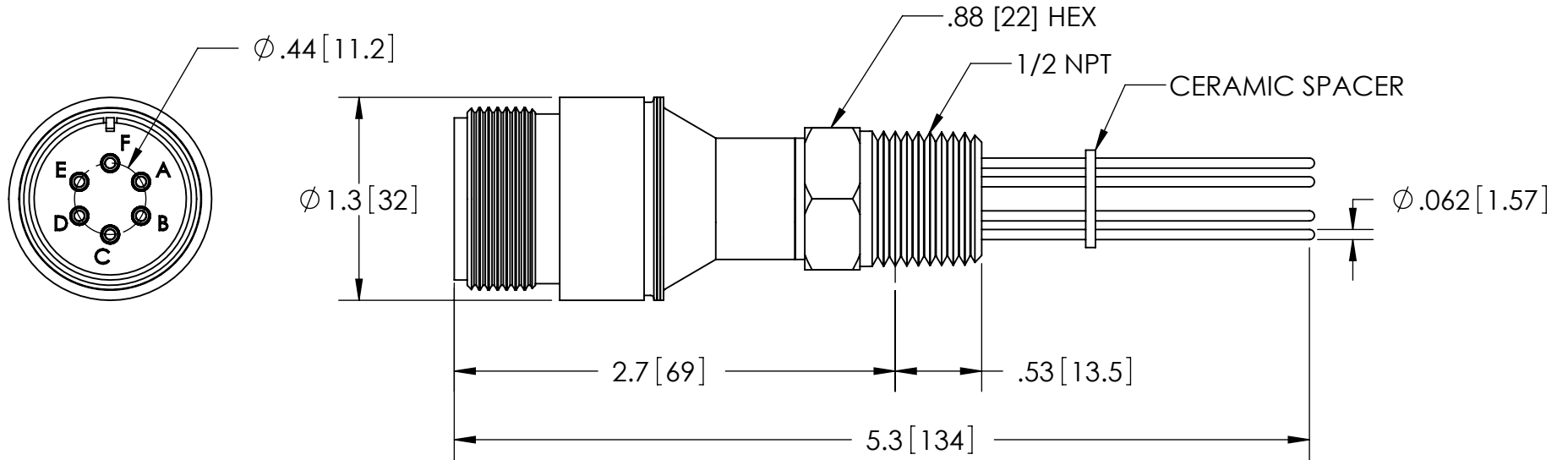


FOR T/C ASSEMBLIES ONLY:  
 + CONDUCTOR LOCATIONS: A,C,E  
 - CONDUCTOR LOCATIONS: B,D,F



PART NO.	REMARKS	CONDUCTOR MATERIAL	CURRENT	VOLTAGE	AIR SIDE PLUG
FA14489	POWER	ALL ALUMEL	4.8 AMPS	700 V DC	NO
KT14489	POWER	ALL ALUMEL	4.8 AMPS	700 V DC	YES
FA14489-02	T/C	CHROMEL / ALUMEL	N/A	N/A	NO
KT14489-02	T/C	CHROMEL / ALUMEL	N/A	N/A	YES

RATINGS	
CONDUCTOR MATERIAL:	SEE TABLE AT LEFT
CURRENT:	SEE TABLE AT LEFT
VOLTAGE:	SEE TABLE AT LEFT
PRESSURE:	550 PSIG @ 20°C
TEMPERATURE WITHOUT PLUG:	-260°C TO 230°C
TEMPERATURE WITH PLUG:	-55°C TO 125°C

WWW.SOLIDSEALING.COM



SOLID SEALING TECHNOLOGY, INC.

SALES DWG NO. FA14489SL REV. B1

PROPRIETARY AND CONFIDENTIAL

THE INFORMATION CONTAINED IN THIS DRAWING IS THE SOLE PROPERTY OF SOLID SEALING TECHNOLOGY. ANY REPRODUCTION IN PART OR AS A WHOLE WITHOUT THE WRITTEN PERMISSION OF SOLID SEALING TECHNOLOGY IS PROHIBITED.

THIRD ANGLE PROJECTION



TITLE:

6 PIN PRESSURE CONNECTOR

PART NO. (SEE TABLE) REV. B

REV.	APP'D	DATE	SCALE 1:1	DIMENSIONS IN INCHES [mm]	DRAWN	EB	5/22/2006
B1	MH	11/11/2008	MPDP0045-0ST		ENG APPR.	MH	08/24/2006