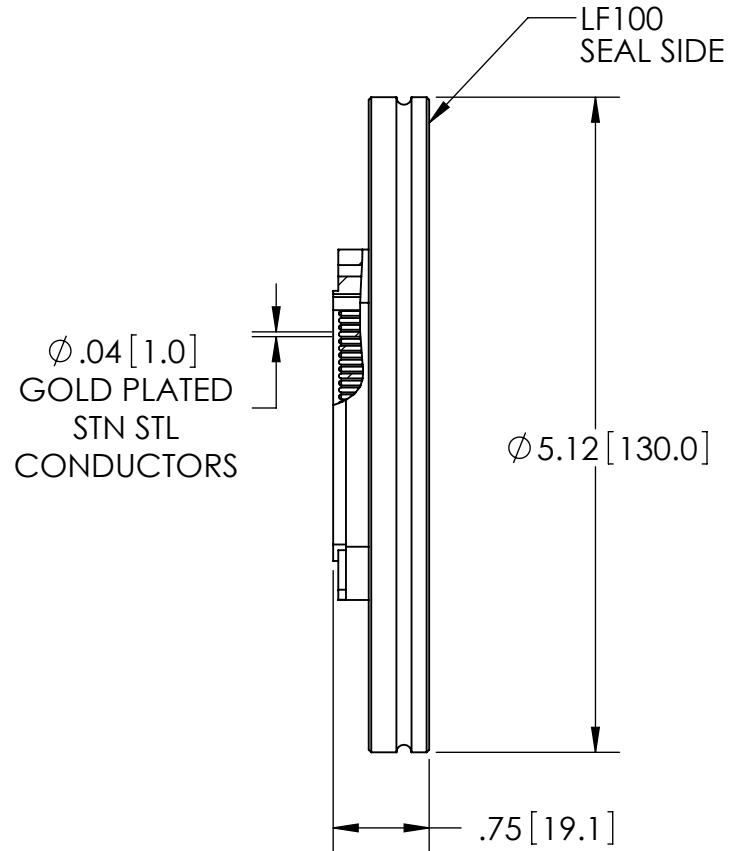


PLUGS SOLD SEPARATELY:
 -VACUUM SIDE PEEK PLUG FA13606
 -AIR SIDE PLUG KT14879



PERFORMANCE SPECIFICATIONS	
VOLTAGE:	500 V DC
CURRENT:	3 AMPS
PRESSURE:	0 PSIG @ 20°C*
TEMPERATURE:	-25°C TO 205°C

*FOR INTERNAL PRESSURE 5 TO 100 PSIG
 AN OVERPRESSURE RING IS REQUIRED.

PROPRIETARY AND CONFIDENTIAL THE INFORMATION CONTAINED IN THIS DRAWING IS THE SOLE PROPERTY OF SOLID SEALING TECHNOLOGY. ANY REPRODUCTION IN PART OR AS A WHOLE WITHOUT THE WRITTEN PERMISSION OF SOLID SEALING TECHNOLOGY IS PROHIBITED.				THIRD ANGLE PROJECTION 		TITLE 50 PIN SUB-D CONNECTOR			
REV.	APP'D	DATE	SCALE 1:1.5	DIMENSIONS IN INCHES [mm]	DRAWN	JS	6/5/2008	PART NO. FA14615 REV. B	WWW.SOLIDSEALING.COM
B1	CW	4/13/2022	MPCL0098-01		ENG APPR.	MH	07/08/2008		SALES DWG NO. FA14615SL REV. B1

DIMENSIONS ARE FOR REFERENCE ONLY. UNLESS NOTED, NO TOLERANCES ARE IMPLIED. CONSULT SST TO DISCUSS YOUR SPECIFIC REQUIREMENTS.