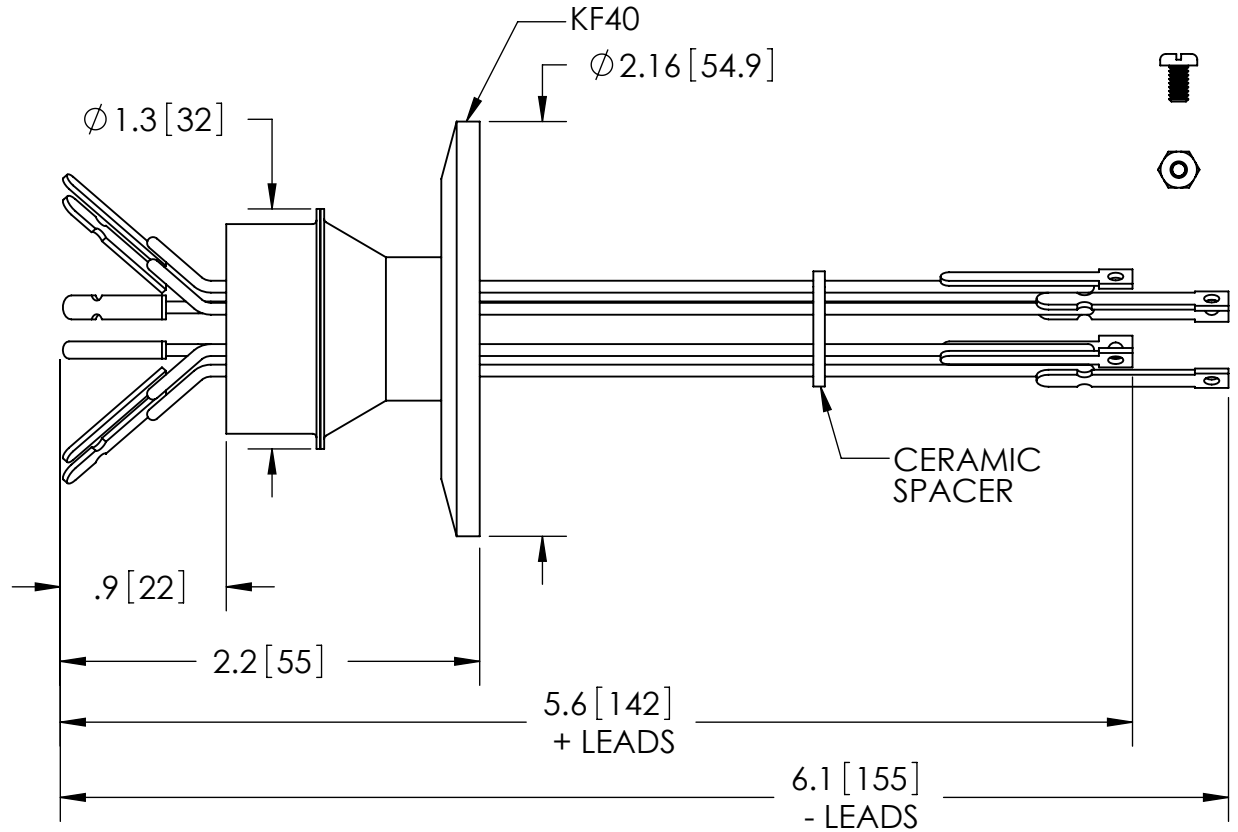
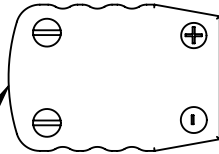


GLASS FILLED
NYLON PLUGS
INCLUDED



PART NO.	CONDUCTOR MATERIAL	T/C TYPE
FA15614	CHROMEL / ALUMEL	K
FA15614-02	IRON / CONSTANTAN	J
FA15614-04	CHROMEL / CONSTANTAN	E

RATINGS	
CONDUCTOR MATERIAL:	SEE TABLE AT LEFT
T/C TYPE:	SEE TABLE AT LEFT
PRESSURE:	0 PSIG @ 20°C*
TEMPERATURE:	-25°C TO 205°C

*FOR INTERNAL PRESSURE 5 TO 100 PSIG
AN OVERPRESSURE RING IS REQUIRED.

PROPRIETARY AND CONFIDENTIAL

THE INFORMATION CONTAINED IN THIS DRAWING IS THE
SOLE PROPERTY OF SOLID SEALING TECHNOLOGY. ANY
REPRODUCTION IN PART OR AS A WHOLE WITHOUT THE WRITTEN
PERMISSION OF SOLID SEALING TECHNOLOGY IS PROHIBITED.

THIRD ANGLE PROJECTION



TITLE: THREE PAIR T/C SPADE TYPE
FEEDTHRU



REV.	APP'D	DATE	SCALE 1:1	DIMENSIONS IN INCHES [mm]	DRAWN	JS	8/3/2009
B3	JS	06/11/2013	MPDP0034-3ST		ENG APPR.	MH	08/07/2009

PART NO. (SEE TABLE) REV. B

SOLID SEALING TECHNOLOGY, INC.

SALES DWG NO. FA15614SL REV. B3

DIMENSIONS ARE FOR REFERENCE ONLY. UNLESS NOTED, NO TOLERANCES ARE IMPLIED. CONSULT SST TO DISCUSS YOUR SPECIFIC REQUIREMENTS.