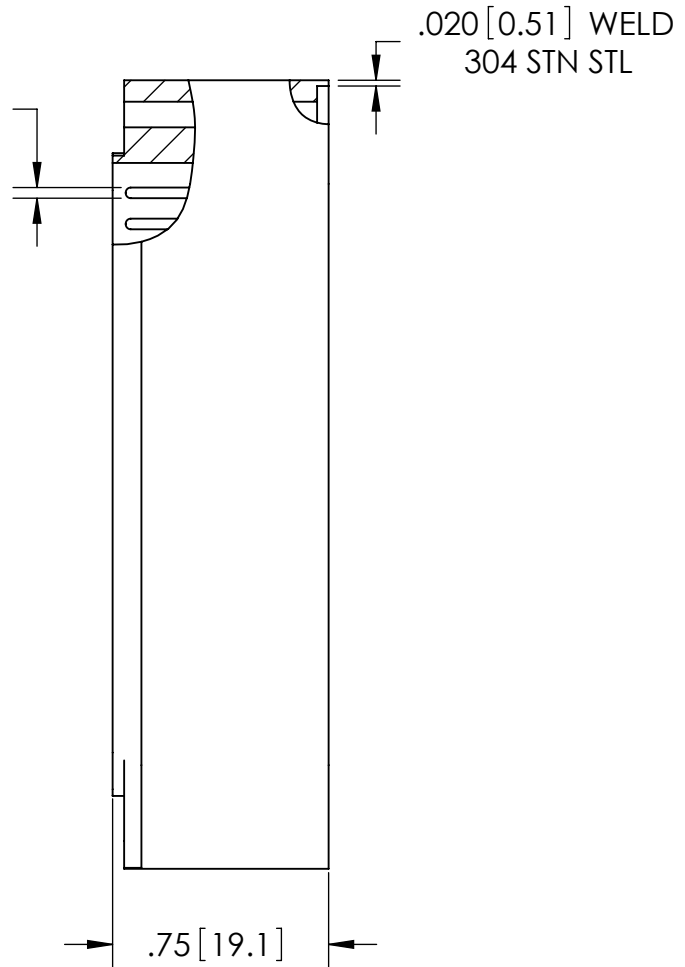


Ø.04 [0.9]
GOLD PLATED
STN STL
CONDUCTORS



PLUGS SOLD SEPARATELY:
-VACUUM SIDE PEEK PLUG FA16705
-AIR SIDE PLUG KT23081

RATINGS	
VOLTAGE:	500V DC
CURRENT:	3 AMPS
PRESSURE:	900 PSIG @ 20°C
TEMPERATURE:	-269°C TO 450°C

WWW.SOLIDSEALING.COM



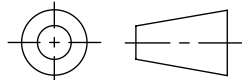
SOLID SEALING TECHNOLOGY, INC.

SALES DWG NO. FA16702SL REV. A3

PROPRIETARY AND CONFIDENTIAL

THE INFORMATION CONTAINED IN THIS DRAWING IS THE SOLE PROPERTY OF SOLID SEALING TECHNOLOGY. ANY REPRODUCTION IN PART OR AS A WHOLE WITHOUT THE WRITTEN PERMISSION OF SOLID SEALING TECHNOLOGY IS PROHIBITED.

THIRD ANGLE PROJECTION



TITLE:

37 PIN SUB D CONNECTOR

PART NO. FA16702 REV. A

REV.	APP'D	DATE	SCALE 1.5:1	DIMENSIONS IN INCHES [mm]	DRAWN	MH	04/26/2012
A3	JF	08/03/2018	MPCL0156-11		ENG APPR.	MH	04/26/2012

DIMENSIONS ARE FOR REFERENCE ONLY. UNLESS NOTED, NO TOLERANCES ARE IMPLIED. CONSULT SST TO DISCUSS YOUR SPECIFIC REQUIREMENTS.