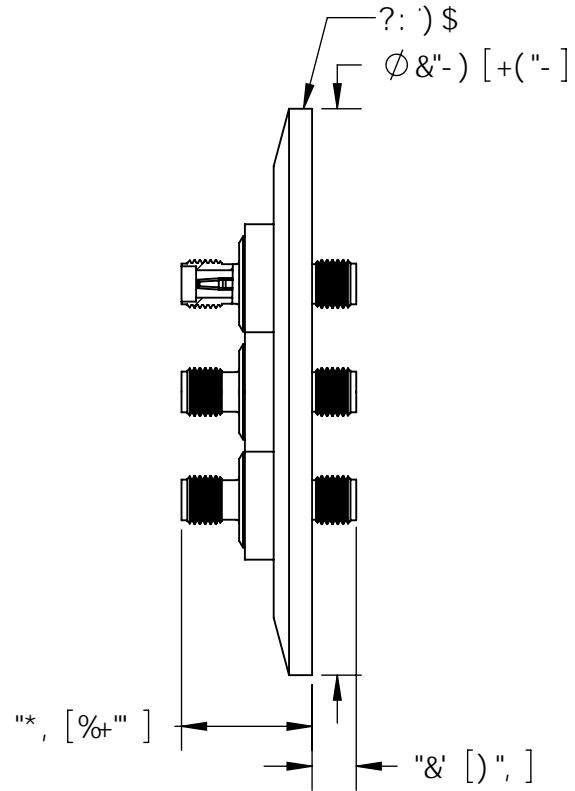
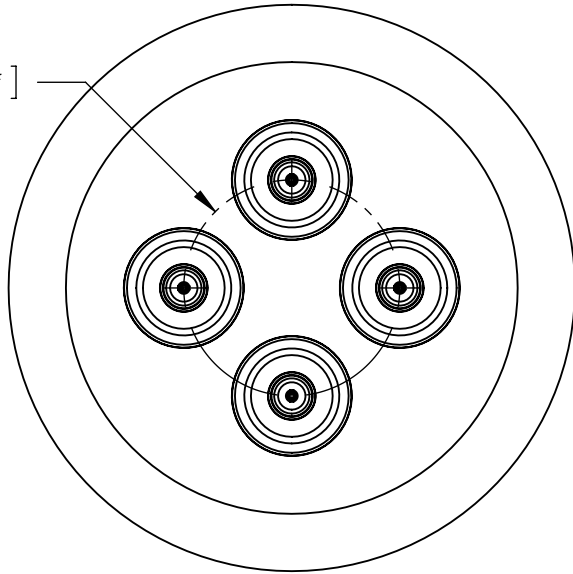


$\phi \text{ } \% \text{ } \%$  [ & , "\*" ]



D5FHBC "	5 F 'G89'D@ ;
: 5% ' - *	BC
?Hq ' - *	MqG

F5HB; G	
J C @5; 9.	) \$\$J '87
7 I FF9BH	\$", '5A DG
DF9GGI F9.	\$'DG≠ '4 '&\$57 †
H9A D9F5H F9 K #k C I HD@ ; .	!&) §7 'HC '&\$) §7
H9A D9F5H F9 K #k 'D@ ; .	!&) §7 'HC '%*) §7

†: C F 'B H9FB5@DF9GGI F9') 'HC '\$\$'DG≠  
5B 'C J 9FDF9GGI F9'F-B; 'G'F9E I 'F98"

K K K "GC @8G95 @B; "7 C A



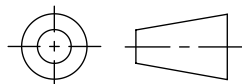
SOLID SEALING TECHNOLOGY, INC.

G5 @9G8K; 'BC": 5% ' - \* @F9J "5&

DFC DF 9H5FM5B8 7CB: 89BH5@

H:9-B: CFA 5HC B 7CBH5-B98 'B H-68F5K B: 'GH-9  
GC @DFC D9FHMC: GC @8 G95 @B; 'H7 <BC @C; M5BM  
F9DFC 8I 7HC B 'B D5FHC F 5G5 K <C @K #k C I Hk 9K F H9B  
D9FA -GGG B C: GC @8 G95 @B; 'H7 <BC @C; M6DFC <6+98"

H: F8 '5B: @DFC >97 HC B



H# @.

: C I F '86 @9B898 ') '\$'C <A 'GA 5G

F9J "	5DD@	85H9	G7 5 @9%%	8-A 9BGC BG-B	8F5K B	>G	(#&#&\$-\$
5&	>G	%\$#&#&\$%&	7CG5\$&\$!%&	'B7 <9GQ a Q	9B: '5DDF"	A <	\$* #/ & # & \$ \$-

D5FHBC "": 5% ' - \* 'F9J "5