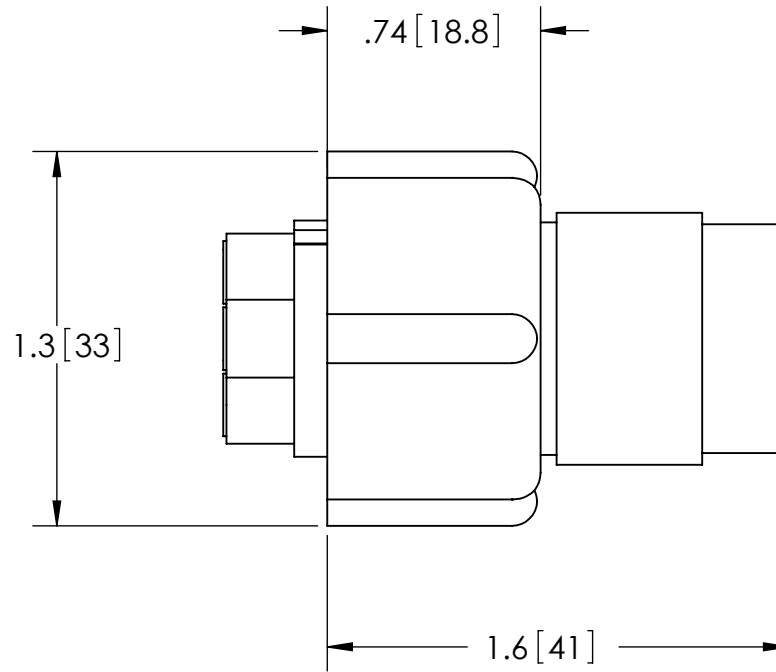
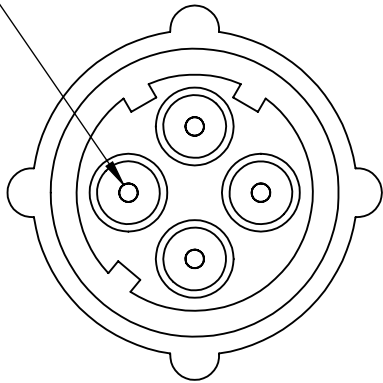


GOLD PLATED
CRIMP CONTACTS



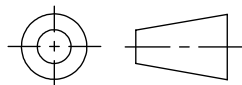
RATINGS

VOLTAGE:	12KV DC
CURRENT:	13 AMPS
TEMPERATURE:	-15°C TO 85°C

PROPRIETARY AND CONFIDENTIAL

THE INFORMATION CONTAINED IN THIS DRAWING IS THE SOLE PROPERTY OF SOLID SEALING TECHNOLOGY. ANY REPRODUCTION IN PART OR AS A WHOLE WITHOUT THE WRITTEN PERMISSION OF SOLID SEALING TECHNOLOGY IS PROHIBITED.

THIRD ANGLE PROJECTION



TITLE:

4 PIN AIR SIDE HV PLUG

WWW.SOLIDSEALING.COM



SOLID SEALING TECHNOLOGY, INC.

REV.	APP'D	DATE	SCALE 3:2	DIMENSIONS IN INCHES [mm]	DRAWN	JS	7/16/2008
A1	MH	07/22/2008	ASME0004-11		ENG APPR.	MH	07/22/2008

PART NO. FA18481 REV. A

SALES DWG NO. FA18481SL REV. A1

DIMENSIONS ARE FOR REFERENCE ONLY. UNLESS NOTED, NO TOLERANCES ARE IMPLIED. CONSULT SST TO DISCUSS YOUR SPECIFIC REQUIREMENTS.