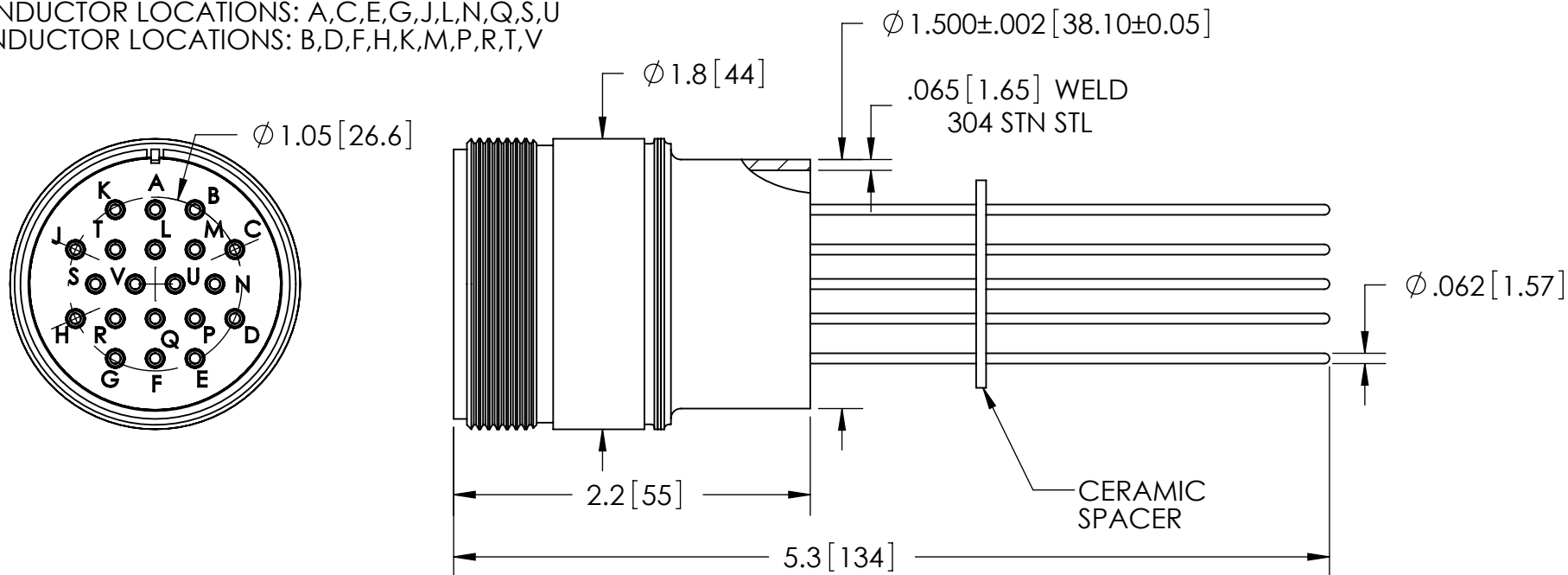


FOR T/C ASSEMBLIES ONLY:
 + CONDUCTOR LOCATIONS: A,C,E,G,J,L,N,Q,S,U
 - CONDUCTOR LOCATIONS: B,D,F,H,K,M,P,R,T,V



PART NO.	REMARKS	CONDUCTOR MATERIAL	CURRENT	VOLTAGE	AIR SIDE PLUG INCLUDED
FA19417	POWER	ALUMEL	4.8 AMPS	700V DC	NO
KT19417	POWER	ALUMEL	4.8 AMPS	700V DC	YES (KT21522)
FA19417-02	T/C	CHROMEL / ALUMEL	N/A	N/A	NO
KT19417-02	T/C	CHROMEL / ALUMEL	N/A	N/A	YES (KT24173)

PERFORMANCE SPECIFICATIONS	
CONDUCTOR MATERIAL:	SEE TABLE AT LEFT
CURRENT:	SEE TABLE AT LEFT
VOLTAGE:	SEE TABLE AT LEFT
PRESSURE:	125 PSIG @ 20°C
TEMPERATURE WITHOUT PLUG:	-269°C TO 450°C
TEMPERATURE WITH PLUG:	-55°C TO 125°C

PROPRIETARY AND CONFIDENTIAL THE INFORMATION CONTAINED IN THIS DRAWING IS THE SOLE PROPERTY OF SOLID SEALING TECHNOLOGY. ANY REPRODUCTION IN PART OR AS A WHOLE WITHOUT THE WRITTEN PERMISSION OF SOLID SEALING TECHNOLOGY IS PROHIBITED.				THIRD ANGLE PROJECTION 		TITLE TWENTY PIN CONNECTOR			
REV.	APP'D	DATE	SCALE 1:1	DIMENSIONS IN INCHES [mm]	DRAWN	JS	4/22/2009	PART NO. (SEE TABLE) REV. D	WWW.SOLIDSEALING.COM
D1	JF	06/08/2022	MPDP0090-1ST		ENG APPR.	MH	06/12/2009		SALES DWG NO. FA19417SL REV. D1

DIMENSIONS ARE FOR REFERENCE ONLY. UNLESS NOTED, NO TOLERANCES ARE IMPLIED. CONSULT SST TO DISCUSS YOUR SPECIFIC REQUIREMENTS.