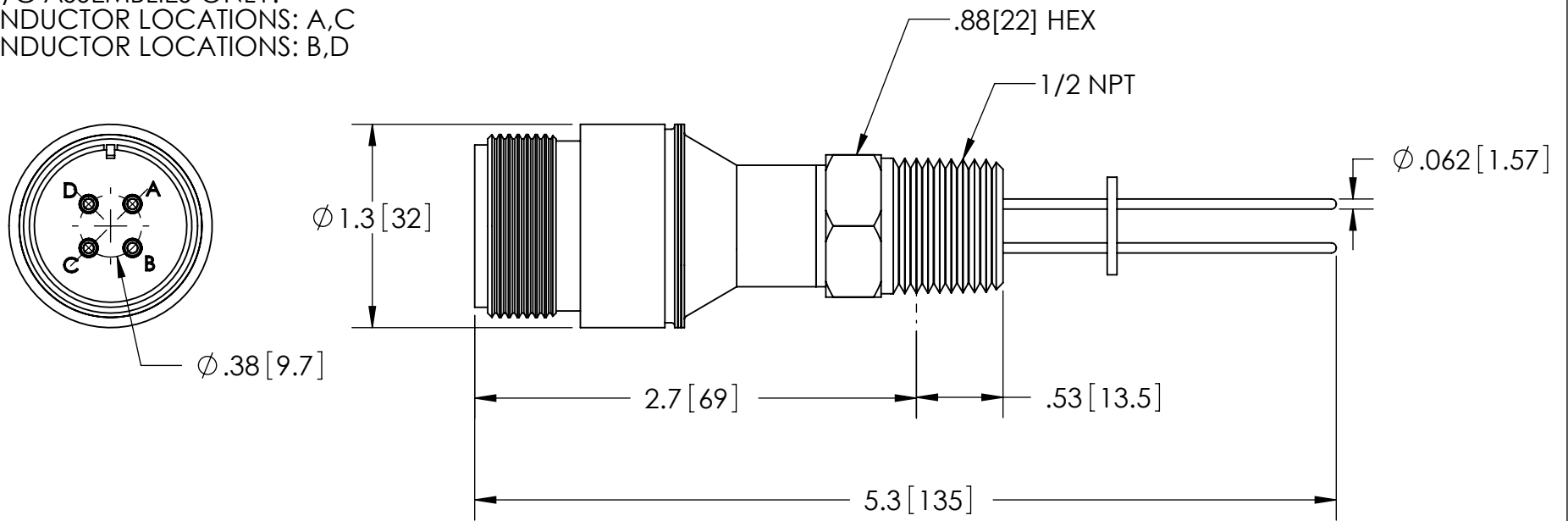


FOR T/C ASSEMBLIES ONLY:
 + CONDUCTOR LOCATIONS: A,C
 - CONDUCTOR LOCATIONS: B,D



PART NO.	REMARKS	CONDUCTOR MATERIAL	CURRENT	VOLTAGE	AIR SIDE PLUG
FA19780	POWER	ALUMEL	4.8 AMPS	700V DC	NO
KT19780	POWER	ALUMEL	4.8 AMPS	700V DC	YES
FA19780-02	T/C	CHROMEL/ALUMEL	N/A	N/A	NO
KT19780-02	T/C	CHROMEL/ALUMEL	N/A	N/A	YES

PERFORMANCE SPECIFICATIONS	
CONDUCTOR MATERIAL:	SEE TABLE AT LEFT
CURRENT:	SEE TABLE AT LEFT
VOLTAGE:	SEE TABLE AT LEFT
PRESSURE:	600 PSIG @ 20°C
TEMPERATURE WITHOUT PLUG:	-260°C TO 230°C
TEMPERATURE WITH PLUG:	-55°C TO 125°C

LEAK RATE < 1 X 10E-10 ATM-CC/SEC (He)

PROPRIETARY AND CONFIDENTIAL THE INFORMATION CONTAINED IN THIS DRAWING IS THE SOLE PROPERTY OF SOLID SEALING TECHNOLOGY. ANY REPRODUCTION IN PART OR AS A WHOLE WITHOUT THE WRITTEN PERMISSION OF SOLID SEALING TECHNOLOGY IS PROHIBITED.				THIRD ANGLE PROJECTION 		TITLE 4 PIN PRESSURE CONNECTOR			
REV.	APP'D	DATE	SCALE 1:1	DIMENSIONS IN INCHES [mm]	DRAWN	JS	11/11/2008	PART NO. (SEE TABLE) REV. B	WWW.SOLIDSEALING.COM
B1	JF	4/9/2021	MPDP0045-2ST		ENG APPR.	MH	11/12/2008		SALES DWG NO. FA19780SL REV. B1

DIMENSIONS ARE FOR REFERENCE ONLY. UNLESS NOTED, NO TOLERANCES ARE IMPLIED. CONSULT SST TO DISCUSS YOUR SPECIFIC REQUIREMENTS.