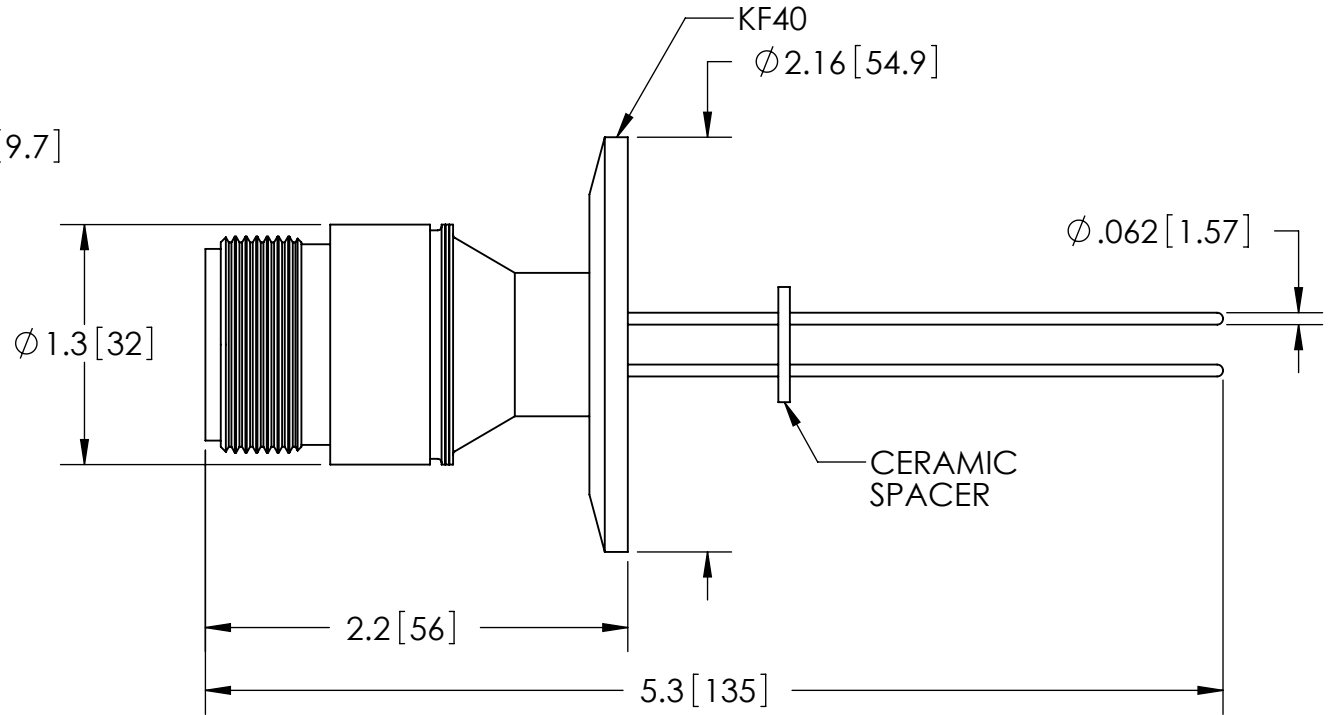
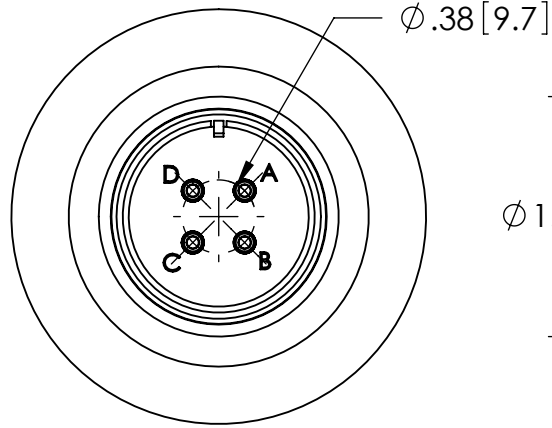


FOR T/C ASSEMBLIES ONLY:  
 + CONDUCTOR LOCATIONS: A,C  
 - CONDUCTOR LOCATIONS: B,D



PART NO.	REMARKS	CONDUCTOR MATERIAL	CURRENT	VOLTAGE	AIR SIDE PLUG
FA20771	POWER	ALUMEL	4.8 AMPS	700 V DC	NO
KT20771	POWER	ALUMEL	4.8 AMPS	700 V DC	YES
FA20771-02	T/C	CHROMEL/ALUMEL	N/A	N/A	NO
KT20771-02	T/C	CHROMEL/ALUMEL	N/A	N/A	YES

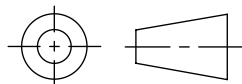
RATINGS	
CONDUCTOR MATERIAL:	SEE TABLE AT LEFT
CURRENT:	SEE TABLE AT LEFT
VOLTAGE:	SEE TABLE AT LEFT
PRESSURE:	0 PSIG @ 20°C*
TEMPERATURE WITHOUT PLUG:	-25°C TO 205°C
TEMPERATURE WITH PLUG:	-25°C TO 125°C

\*FOR INTERNAL PRESSURE 5 TO 100 PSIG AND OVERPRESSURE RING IS REQUIRED.

PROPRIETARY AND CONFIDENTIAL

THE INFORMATION CONTAINED IN THIS DRAWING IS THE SOLE PROPERTY OF SOLID SEALING TECHNOLOGY. ANY REPRODUCTION IN PART OR AS A WHOLE WITHOUT THE WRITTEN PERMISSION OF SOLID SEALING TECHNOLOGY IS PROHIBITED.

THIRD ANGLE PROJECTION



TITLE:

FOUR PIN CONNECTOR



SOLID SEALING TECHNOLOGY, INC.

REV.	APP'D	DATE	SCALE 1:1	DIMENSIONS IN INCHES [mm]	DRAWN	JS	7/30/2009
A2	JS	11/26/2012	MPDP0009-4ST		ENG APPR.	MH	08/07/2009

PART NO. (SEE TABLE) REV. A

SALES DWG NO. FA20771SL REV. A2