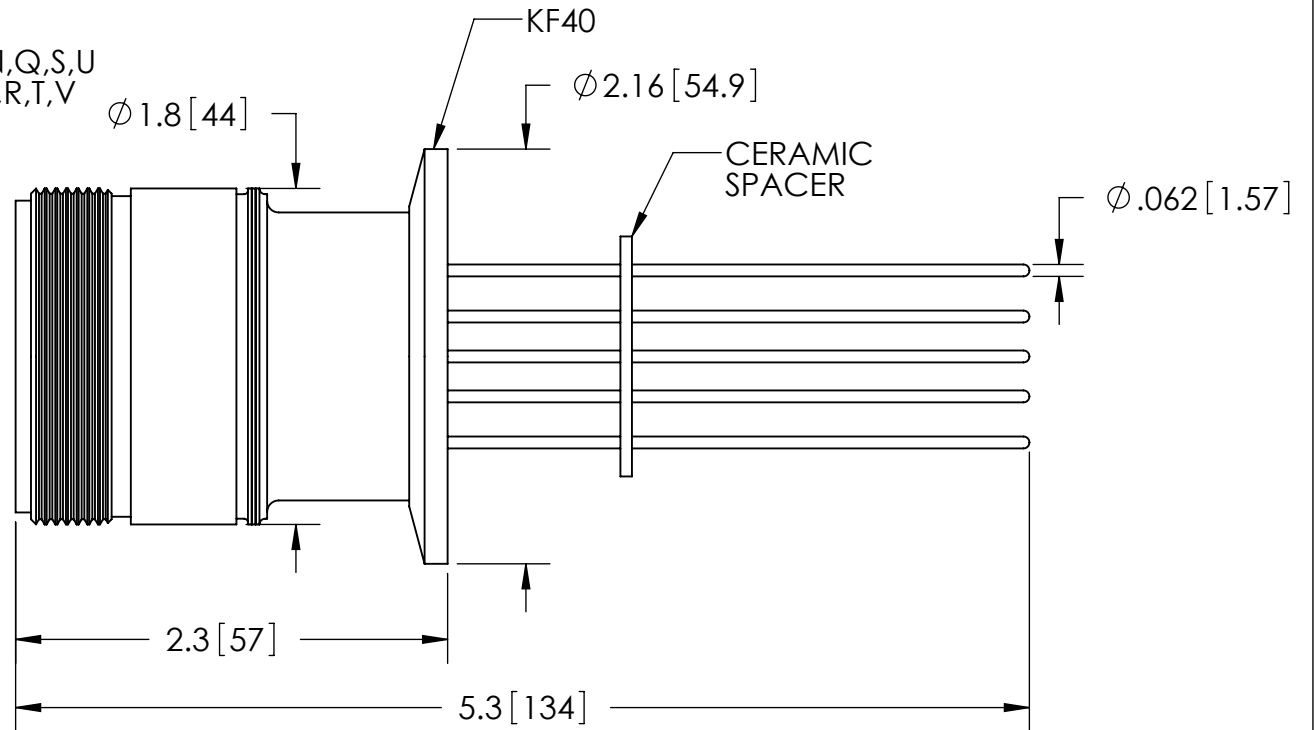
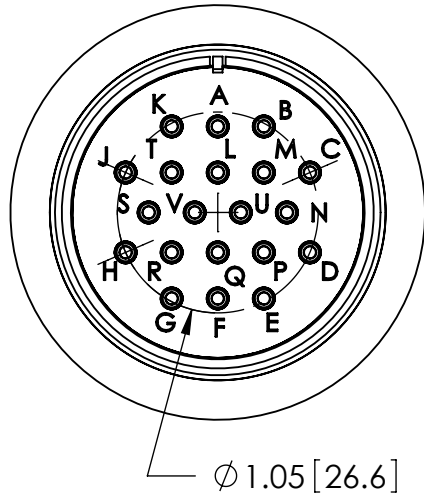


FOR T/C ASSEMBLIES ONLY:  
 + CONDUCTOR LOCATIONS: A,C,E,G,J,L,N,Q,S,U  
 - CONDUCTOR LOCATIONS: B,D,F,H,K,M,P,R,T,V



PART NO.	REMARKS	CONDUCTOR MATERIAL	CURRENT	VOLTAGE	AIR SIDE PLUG
FA20897	POWER	ALUMEL	4.8 AMPS	700V DC	NO
KT20897	POWER	ALUMEL	4.8 AMPS	700V DC	YES
FA20897-02	T/C	CHROMEL / ALUMEL	N/A	N/A	NO
KT20897-02	T/C	CHROMEL / ALUMEL	N/A	N/A	YES

RATINGS	
CONDUCTOR MATERIAL:	SEE TABLE AT LEFT
CURRENT:	SEE TABLE AT LEFT
VOLTAGE:	SEE TABLE AT LEFT
PRESSURE:	0 PSIG @ 20°C*
TEMPERATURE WITHOUT PLUG:	-25°C TO 205°C
TEMPERATURE WITH PLUG:	-25°C TO 125°C

\*FOR INTERNAL PRESSURE 5 TO 100 PSIG AN OVERPRESSURE RING IS REQUIRED.

[WWW.SOLIDSEALING.COM](http://WWW.SOLIDSEALING.COM)



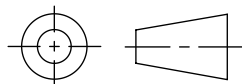
**SOLID SEALING TECHNOLOGY, INC.**

SALES DWG NO. FA20897SL REV. C1

PROPRIETARY AND CONFIDENTIAL

THE INFORMATION CONTAINED IN THIS DRAWING IS THE SOLE PROPERTY OF SOLID SEALING TECHNOLOGY. ANY REPRODUCTION IN PART OR AS A WHOLE WITHOUT THE WRITTEN PERMISSION OF SOLID SEALING TECHNOLOGY IS PROHIBITED.

THIRD ANGLE PROJECTION



TITLE:

TWENTY PIN CONNECTOR

PART NO. (SEE TABLE) REV. C

REV.	APP'D	DATE	SCALE 1:1	DIMENSIONS IN INCHES [mm]	DRAWN	JS	4/22/2009
C1	JF	05/20/2019	MPDP0090-3ST		ENG APPR.	MH	06/12/2009

**DIMENSIONS ARE FOR REFERENCE ONLY. UNLESS NOTED, NO TOLERANCES ARE IMPLIED. CONSULT SST TO DISCUSS YOUR SPECIFIC REQUIREMENTS.**