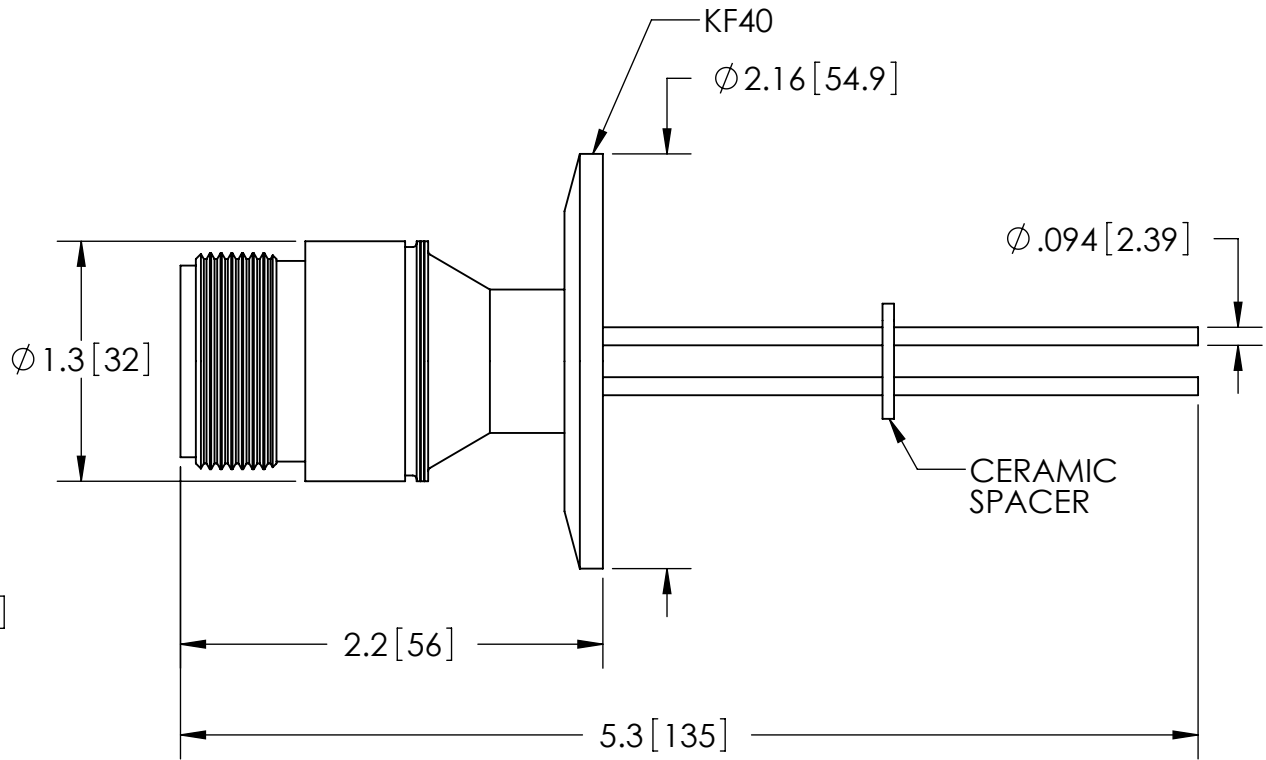


Ø.37 [9.3]



PART NO.	CONDUCTOR MATERIAL	CURRENT	AIR SIDE PLUG
FA21130	NICKEL	16 AMPS	NO
KT21130	NICKEL	16 AMPS	YES
FA21130-02	MOLYBDENUM	23 AMPS	NO
KT21130-02	MOLYBDENUM	23 AMPS	YES

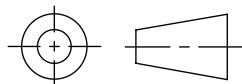
RATINGS	
CONDUCTOR MATERIAL:	SEE TABLE AT LEFT:
VOLTAGE:	700V DC
CURRENT:	SEE TABLE AT LEFT
PRESSURE:	0 PSIG @ 20°C*
TEMPERATURE WITHOUT PLUG:	-25°C TO 205°C
TEMPERATURE WITH PLUG:	-25°C TO 125°C

*FOR INTERNAL PRESSURE 5 TO 100 PSIG AN OVERPRESSURE RING IS REQUIRED.

PROPRIETARY AND CONFIDENTIAL

THE INFORMATION CONTAINED IN THIS DRAWING IS THE SOLE PROPERTY OF SOLID SEALING TECHNOLOGY. ANY REPRODUCTION IN PART OR AS A WHOLE WITHOUT THE WRITTEN PERMISSION OF SOLID SEALING TECHNOLOGY IS PROHIBITED.

THIRD ANGLE PROJECTION



TITLE:

FOUR PIN CONNECTOR



SOLID SEALING TECHNOLOGY, INC.

REV.	APP'D	DATE	SCALE 1:1	DIMENSIONS IN INCHES [mm]	DRAWN	JS	7/30/2009
A2	JS	11/26/2012	MPDP0026-6ST		ENG APPR.	MH	8/7/2009

PART NO. (SEE TABLE) REV. A

SALES DWG NO. FA21130SL REV. A2