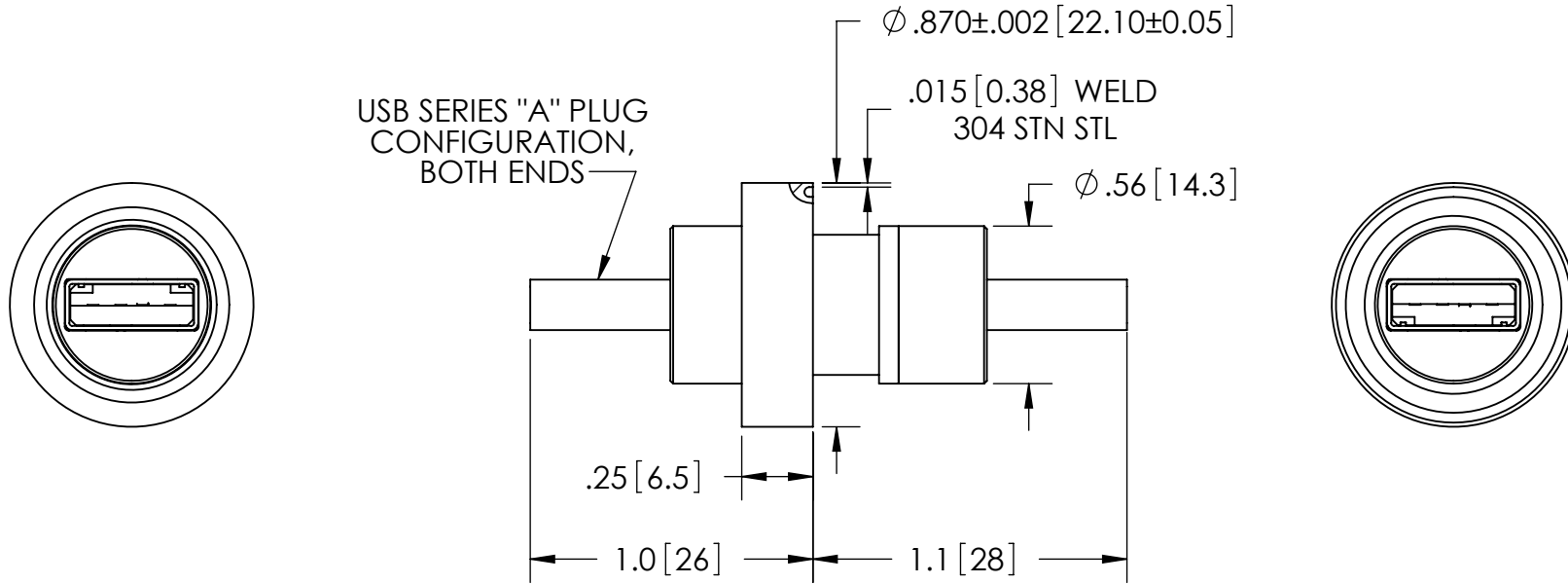


MATES WITH STANDARD USB SERIES "A" RECEPTACLE, BOTH ENDS



RATINGS	
VOLTAGE:	30V RMS
CURRENT:	1 AMP
PRESSURE:	500 PSIG @ 20°C
TEMPERATURE WITHOUT RECEPTACLES ATTACHED:	-269°C TO 200°C

OUR USB CONNECTORS MEET OR EXCEED THE VOLTAGE AND CURRENT REQUIREMENTS FOR USB 2.0 AND 3.0. WE DO NOT GUARANTEE THE DATA TRANSFER RATE OR ANY OTHER REQUIREMENT OF THE USB SPECIFICATIONS.

[WWW.SOLIDSEALING.COM](http://WWW.SOLIDSEALING.COM)



**SOLID SEALING TECHNOLOGY, INC.**

SALES DWG NO. FA22587SL REV. C2

PROPRIETARY AND CONFIDENTIAL

THE INFORMATION CONTAINED IN THIS DRAWING IS THE SOLE PROPERTY OF SOLID SEALING TECHNOLOGY. ANY REPRODUCTION IN PART OR AS A WHOLE WITHOUT THE WRITTEN PERMISSION OF SOLID SEALING TECHNOLOGY IS PROHIBITED.

THIRD ANGLE PROJECTION



TITLE:

USB CONNECTOR

PART NO. FA22587 REV. C

REV.	APP'D	DATE	SCALE 3:2	DIMENSIONS IN INCHES [mm]	DRAWN	JS	04/16/2010
C2	JS	09/13/2013	MPCL0321-11		ENG APPR.	MH	04/26/2010

**DIMENSIONS ARE FOR REFERENCE ONLY. UNLESS NOTED, NO TOLERANCES ARE IMPLIED. CONSULT SST TO DISCUSS YOUR SPECIFIC REQUIREMENTS.**