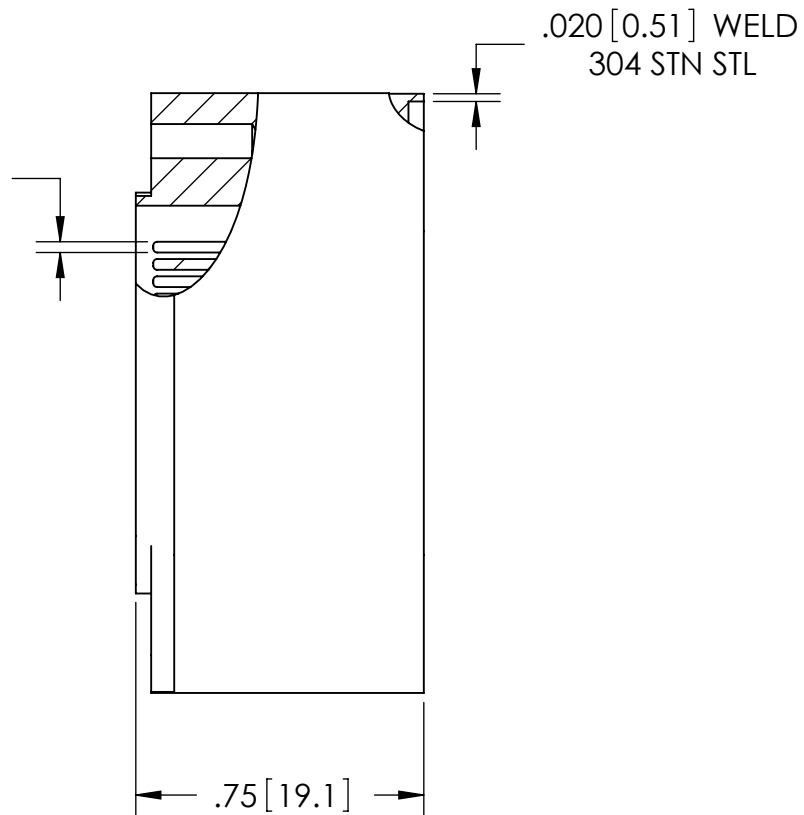


Ø.03 [0.7]
GOLD PLATED
STN STL
CONDUCTORS



PLUGS SOLD SEPARATELY:
-VACUUM SIDE PEEK PLUG FA37797
-AIR SIDE PLUG KT37802

| RATINGS | |
|--------------|-----------------|
| VOLTAGE: | 500V DC |
| CURRENT: | 2 AMPS |
| TEMPERATURE: | -269°C TO 450°C |

WWW.SOLIDSEALING.COM



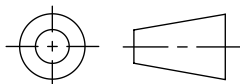
SOLID SEALING TECHNOLOGY, INC.

SALES DWG NO. FA26041SL REV. A2

PROPRIETARY AND CONFIDENTIAL

THE INFORMATION CONTAINED IN THIS DRAWING IS THE SOLE PROPERTY OF SOLID SEALING TECHNOLOGY. ANY REPRODUCTION IN PART OR AS A WHOLE WITHOUT THE WRITTEN PERMISSION OF SOLID SEALING TECHNOLOGY IS PROHIBITED.

THIRD ANGLE PROJECTION



TITLE:

26 PIN CONNECTOR

PART NO. FA26041 REV. A

| REV. | APP'D | DATE | SCALE 2:1 | DIMENSIONS IN INCHES [mm] | DRAWN | JS | 02/14/2012 |
|------|-------|------------|-------------|---------------------------|-----------|----|------------|
| A2 | JF | 08/03/2018 | MPCL0398-11 | | ENG APPR. | JS | 02/14/2012 |

DIMENSIONS ARE FOR REFERENCE ONLY. UNLESS NOTED, NO TOLERANCES ARE IMPLIED. CONSULT SST TO DISCUSS YOUR SPECIFIC REQUIREMENTS.