

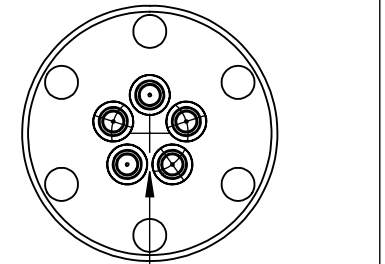
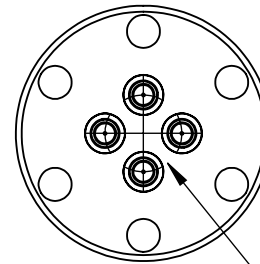
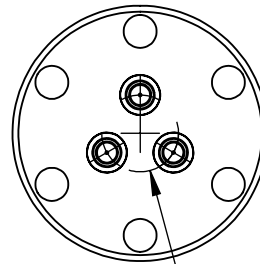
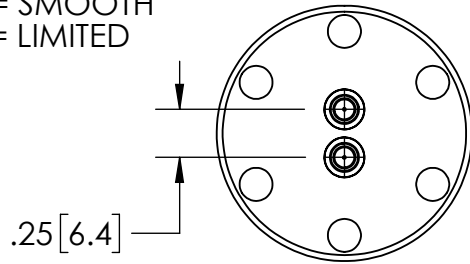
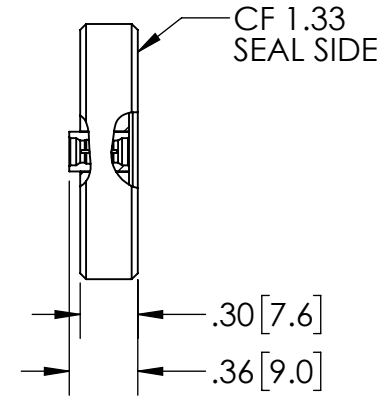
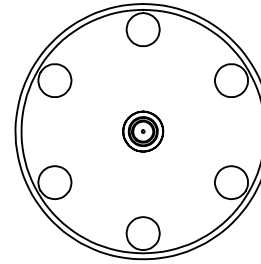
FA33179-XXX

PART NUMBER

NUMBER OF SMPs IN FLANGE
eg. 1 THRU 5

AIR SIDE TERMINATION
eg. F=FULL
S= SMOOTH
L= LIMITED

VACUUM SIDE TERMINATION
eg. F=FULL
S= SMOOTH
L= LIMITED



PERFORMANCE SPECIFICATIONS	
VOLTAGE (DWV):	500V RMS
INSULATION RESISTANCE:	> 5000 MΩ
TEMPERATURE WITHOUT PLUG:	-269°C TO 450°C

LEAK RATE <1 X 10E-10 ATM-CC/SEC (He)

PROPRIETARY AND CONFIDENTIAL THE INFORMATION CONTAINED IN THIS DRAWING IS THE SOLE PROPERTY OF SOLID SEALING TECHNOLOGY. ANY REPRODUCTION IN PART OR AS A WHOLE WITHOUT THE WRITTEN PERMISSION OF SOLID SEALING TECHNOLOGY IS PROHIBITED.				THIRD ANGLE PROJECTION 		TITLE 50 OHM SMP IN 1.33 CF FLANGE			
REV.	APP'D	DATE	SCALE 1:1	DIMENSIONS IN INCHES [mm]	DRAWN	MH	12/18/2015	PART NO. FA33179 REV. B WWW.SOLIDSEALING.COM	
B2	CW	3/16/2021	COSM0003-11		ENG APPR.	JF	01/26/2016		

DIMENSIONS ARE FOR REFERENCE ONLY. UNLESS NOTED, NO TOLERANCES ARE IMPLIED. CONSULT SST TO DISCUSS YOUR SPECIFIC REQUIREMENTS.