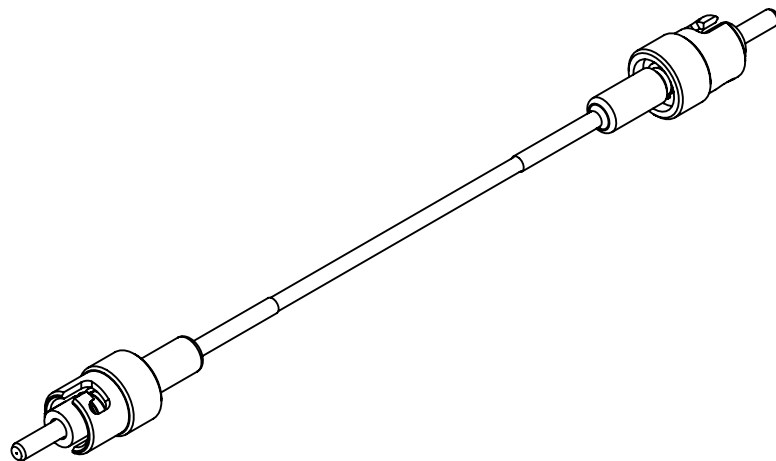
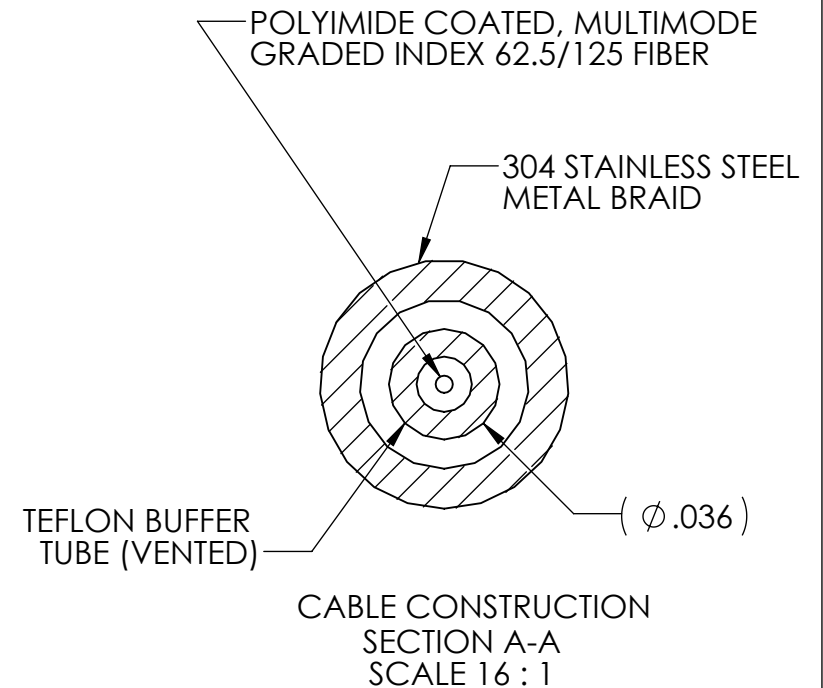
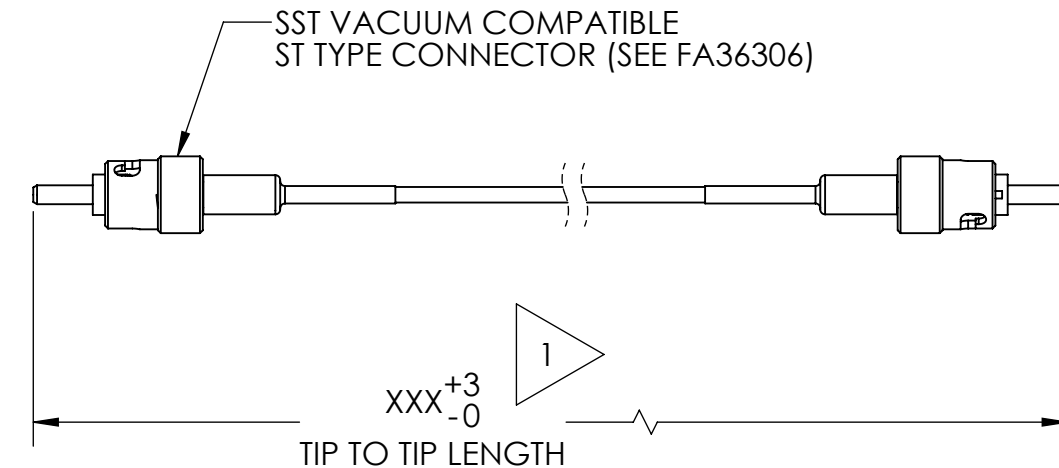


NOTES:

1. LENGTH (INCHES) IS SPECIFIED BY THE SUFFIX ON THE ROOT PART NUMBER (MAX 60 INCHES).
EXAMPLE: FA36485-48 IS A 48" LONG CABLE.



PERFORMANCE SPECIFICATIONS	
.4 dB LOSS PER JUNCTION @ 850 nm TYPICAL, @ ROOM TEMPERATURE	
OPERATING TEMPERATURE: -40°C TO 150°C	
200°C BAKE OUT FOR 1 HOUR	

PROPRIETARY AND CONFIDENTIAL THE INFORMATION CONTAINED IN THIS DRAWING IS THE SOLE PROPERTY OF SOLID SEALING TECHNOLOGY. ANY REPRODUCTION IN PART OR AS A WHOLE WITHOUT THE WRITTEN PERMISSION OF SOLID SEALING TECHNOLOGY IS PROHIBITED.				THIRD ANGLE PROJECTION 			TITLE: VAC CABLE ST-ST MULTIMODE		WWW.SOLIDSEALING.COM 		
REV.	APP'D	DATE	SCALE 1:1	DIMENSIONS IN INCHES [mm]	DRAWN	HJ	05/08/2018	PART NO. FA36485 REV. A		SOLID SEALING TECHNOLOGY, INC.	
A2	HJ	11/07/2018	FOCAN001-13		ENG APPR.	HJ	05/08/2018			SALES DWG NO. FA36485SL REV. A2	

DIMENSIONS ARE FOR REFERENCE ONLY. UNLESS NOTED, NO TOLERANCES ARE IMPLIED. CONSULT SST TO DISCUSS YOUR SPECIFIC REQUIREMENTS.