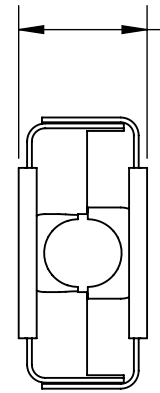
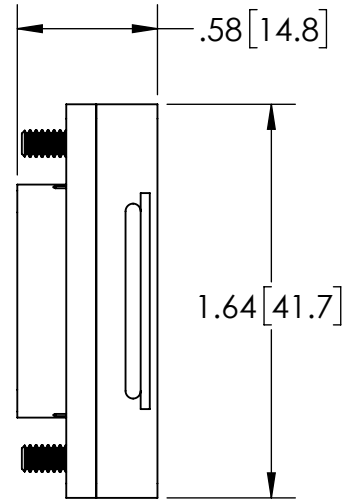
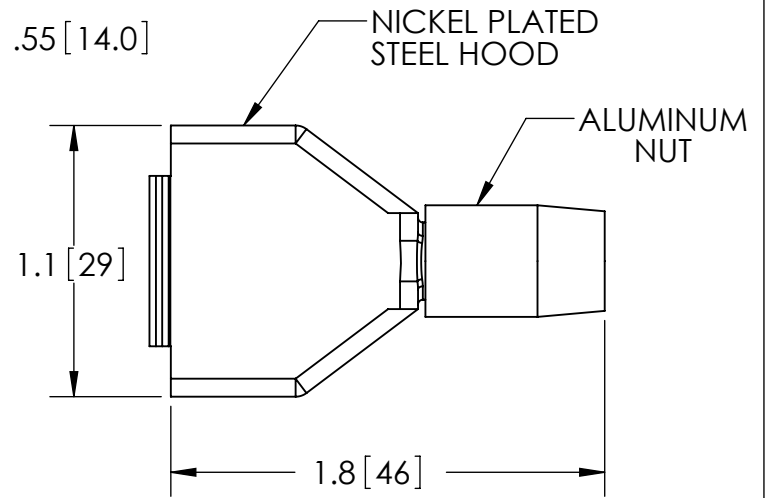


VACUUM PLUG



BACKSHELL



PART NO.	BACKSHELL INCLUDED
FA37797	NO
KT37797	YES

RATINGS	
VOLTAGE:	500 V DC
CURRENT:	2 AMPS
TEMPERATURE:	-269°C TO 200°C

WWW.SOLIDSEALING.COM



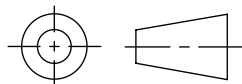
SOLID SEALING TECHNOLOGY, INC.

SALES DWG NO. FA37797SL REV. A1

PROPRIETARY AND CONFIDENTIAL

THE INFORMATION CONTAINED IN THIS DRAWING IS THE SOLE PROPERTY OF SOLID SEALING TECHNOLOGY. ANY REPRODUCTION IN PART OR AS A WHOLE WITHOUT THE WRITTEN PERMISSION OF SOLID SEALING TECHNOLOGY IS PROHIBITED.

THIRD ANGLE PROJECTION



TITLE:

26 PIN HD SUB-D VACUUM PLUG

PART NO. FA37797 REV. A

REV.	APP'D	DATE	SCALE 1.25:1	DIMENSIONS IN INCHES [mm]	DRAWN	JF	08/03/2018
A1	JF	08/03/2018	MSMM0028-13		ENG APPR.	JF	08/03/2018

DIMENSIONS ARE FOR REFERENCE ONLY. UNLESS NOTED, NO TOLERANCES ARE IMPLIED. CONSULT SST TO DISCUSS YOUR SPECIFIC REQUIREMENTS.