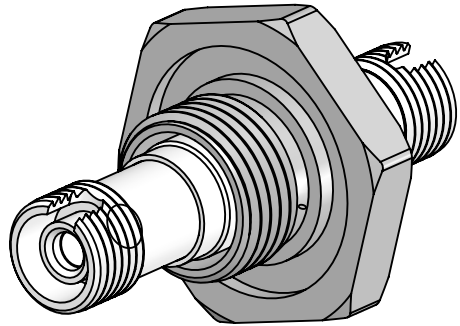


PERFORMANCE SPECIFICATIONS	
.35 dB LOSS PER JUNCTION @ 850 nm TYPICAL, .5dB MAX (@ ROOM TEMPERATURE)	
OPERATING TEMPERATURE: -40°C TO 150°C	
200°C BAKE OUT FOR 1 HOUR	
LEAK RATE <1 X 10E-9 ATM-CC/SEC (He)	

***SEE SHEET 2 FOR MOUNTING DETAILS**

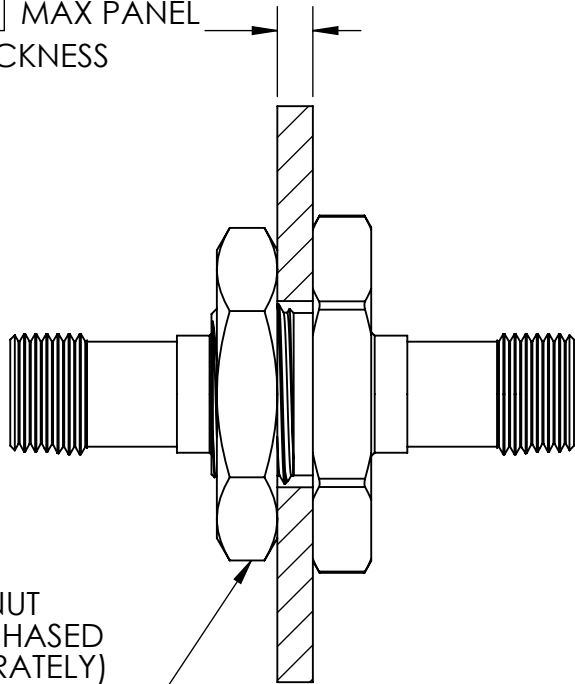


PROPRIETARY AND CONFIDENTIAL THE INFORMATION CONTAINED IN THIS DRAWING IS THE SOLE PROPERTY OF SOLID SEALING TECHNOLOGY. ANY REPRODUCTION IN PART OR AS A WHOLE WITHOUT THE WRITTEN PERMISSION OF SOLID SEALING TECHNOLOGY IS PROHIBITED.				THIRD ANGLE PROJECTION 		TITLE: MM FEEDTHROUGH, FC-FC		WWW.SOLIDSEALING.COM 	
REV.	APP'D	DATE	SCALE 2:1	DIMENSIONS IN INCHES [mm]	DRAWN	HJ	11/01/2018	PART NO. FA38301 REV. A	
A1	JF	12/07/2018	FOFDN001-26		ENG APPR.	JF	12/07/2018		

DIMENSIONS ARE FOR REFERENCE ONLY. UNLESS NOTED, NO TOLERANCES ARE IMPLIED. CONSULT SST TO DISCUSS YOUR SPECIFIC REQUIREMENTS.

JAM NUT PANEL MOUNTING CONFIGURATION

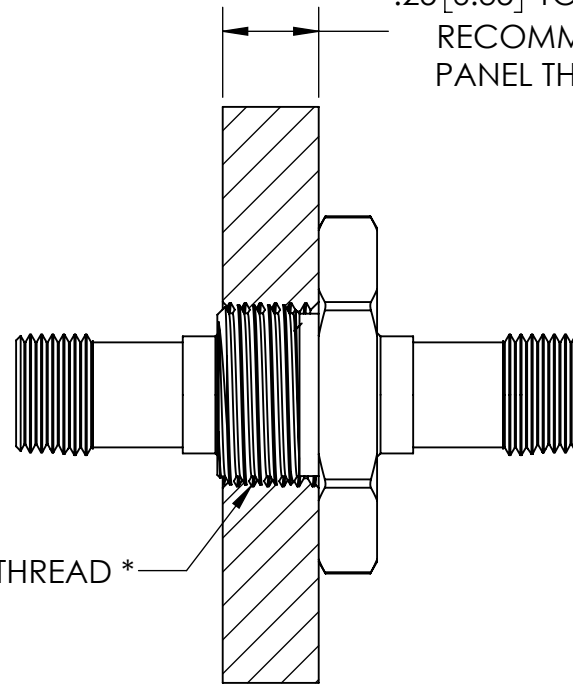
.093 [2.35] MAX PANEL THICKNESS



JAM NUT
(PURCHASED
SEPARATELY)
SEE FP38340

THREADED PANEL MOUNTING CONFIGURATION

.25 [6.35] TO .75 [19.05]
RECOMMENDED
PANEL THICKNESS



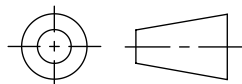
M12 X 1.0 THREAD *

* IF THREAD IS NOT TAPPED THROUGH, ITS DEPTH
MUST BE AT LEAST .264 [6.71]

PROPRIETARY AND CONFIDENTIAL

THE INFORMATION CONTAINED IN THIS DRAWING IS THE
SOLE PROPERTY OF SOLID SEALING TECHNOLOGY. ANY
REPRODUCTION IN PART OR AS A WHOLE WITHOUT THE WRITTEN
PERMISSION OF SOLID SEALING TECHNOLOGY IS PROHIBITED.

THIRD ANGLE PROJECTION



TITLE:

MM FEEDTHROUGH, FC-FC

WWW.SOLIDSEALING.COM



SOLID SEALING TECHNOLOGY, INC.

REV.	APP'D	DATE	SCALE 2:1	DIMENSIONS IN INCHES [mm]	DRAWN	HJ	11/01/2018
A1	JF	12/07/2018			ENG APPR.	JF	12/07/2018

PART NO. FA38301 REV. A

SALES DWG NO. FA38301SL REV. A1

DIMENSIONS ARE FOR REFERENCE ONLY. UNLESS NOTED, NO TOLERANCES ARE IMPLIED. CONSULT SST TO DISCUSS YOUR SPECIFIC REQUIREMENTS.