

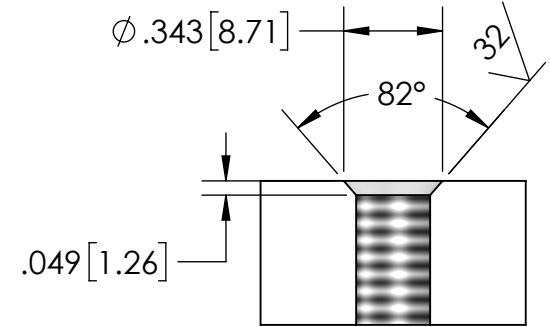
FA40385-XX

PART NUMBER

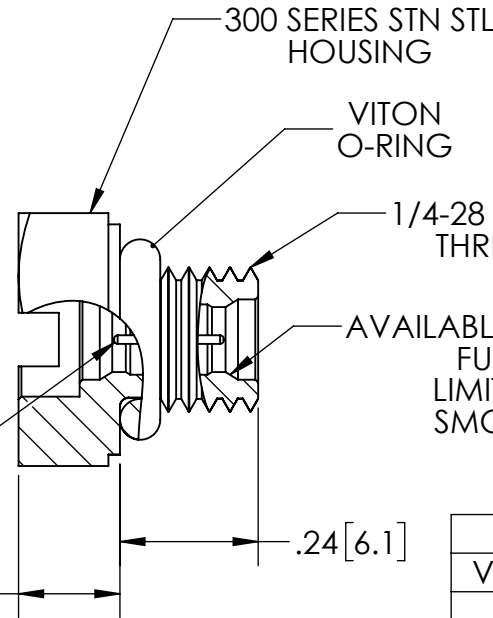
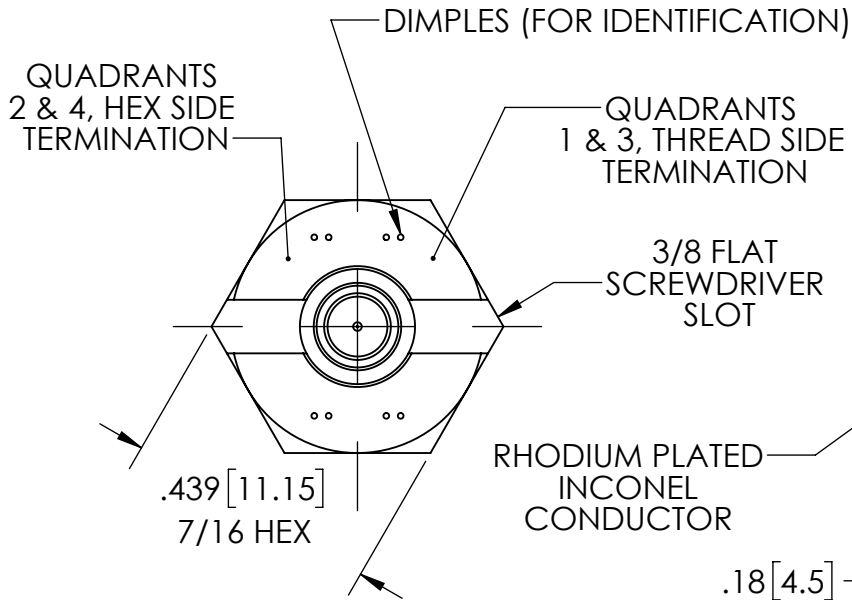
HEX SIDE TERMINATION
eg. F=FULL
L= LIMITED
S= SMOOTH

THREAD SIDE TERMINATION
eg. F=FULL
L= LIMITED
S= SMOOTH

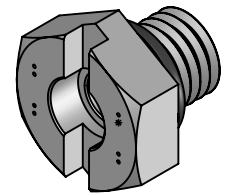
TERMINATION STYLE	# OF DIMPLES
FULL DETENT	2
LIMITED DETENT	1
SMOOTH BORE	0



MOUNTING DETAIL
SCALE 3:2

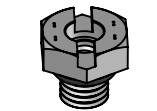


AVAILABLE TERMINATIONS:
FULL DETENT
LIMITED DETENT
SMOOTH BORE



SCALE 2:1

TERMINATION	TYPICAL FORCE TO ENGAGE PLUG	TYPICAL FORCE TO DISENGAGE PLUG
FULL DETENT	15 LBS MAX	5 LBS MIN
LIMITED DETENT	10 LBS MAX	2 LBS MIN
SMOOTH BORE	2 LBS MAX	0.5 LBS MIN



SCALE 1:1

PERFORMANCE SPECIFICATIONS	
VOLTAGE (DWV):	500V RMS
INSULATION RESISTANCE:	> 5000 MΩ
OPERATION PRESSURE:	3000 PSIG @ 20°C*
TEMPERATURE WITHOUT PLUG:	-20°C TO 205°C
BURST PRESSURE	9000 PSIG @ 20°C

* CONTACT SST FOR TEST DATA

LEAK RATE <1 X 10E-10 ATM-CC/SEC (He)

PROPRIETARY AND CONFIDENTIAL THE INFORMATION CONTAINED IN THIS DRAWING IS THE SOLE PROPERTY OF SOLID SEALING TECHNOLOGY. ANY REPRODUCTION IN PART OR AS A WHOLE WITHOUT THE WRITTEN PERMISSION OF SOLID SEALING TECHNOLOGY IS PROHIBITED.				THIRD ANGLE PROJECTION 		TITLE 50 OHM SMP THREADED CONNECTOR			
REV.	APP'D	DATE	SCALE 3:1	DIMENSIONS IN INCHES [mm]	DRAWN	CW	6/18/2020	PART NO. FA40385 REV. A WWW.SOLIDSEALING.COM	
A3	CW	3/28/2022	COSM0016-21		ENG APPR.	JF	6/18/2020		

DIMENSIONS ARE FOR REFERENCE ONLY. UNLESS NOTED, NO TOLERANCES ARE IMPLIED. CONSULT SST TO DISCUSS YOUR SPECIFIC REQUIREMENTS.