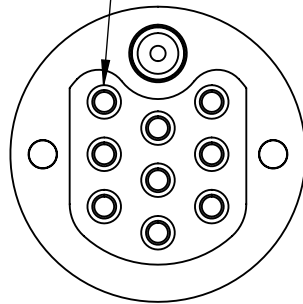
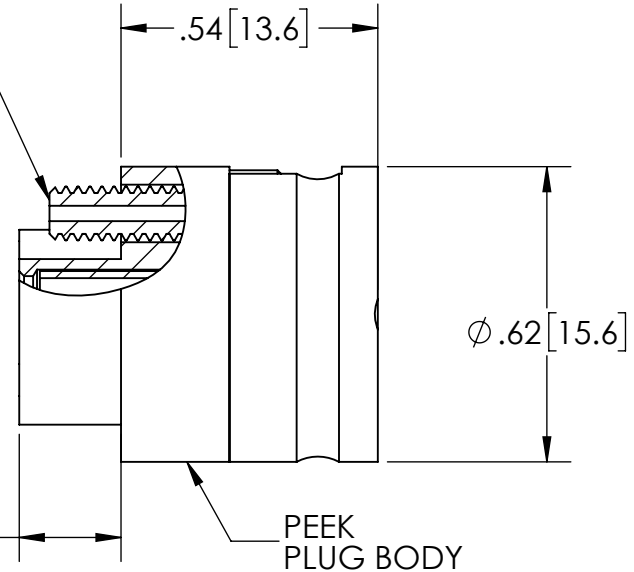


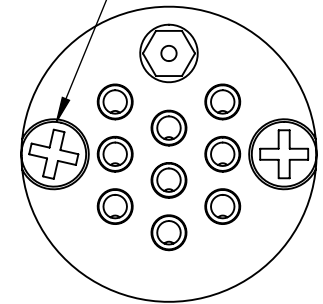
GOLD PLATED
CRIMP/SOLDER
CONTACTS



#4-40 VENTED
SOCKET HEAD
CAP SCREW



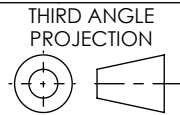
STN STL
SCREWS



PERFORMANCE SPECIFICATIONS	
VOLTAGE:	500V DC
CURRENT:	5 AMPS
TEMPERATURE:	-269°C TO 200°C

REFER TO INSTRUCTIONS SHEET NS41187 FOR PLUG ASSEMBLY INSTRUCTIONS

PROPRIETARY AND CONFIDENTIAL
THE INFORMATION CONTAINED IN THIS DRAWING IS THE SOLE PROPERTY OF SOLID SEALING TECHNOLOGY. ANY REPRODUCTION IN PART OR AS A WHOLE WITHOUT THE WRITTEN PERMISSION OF SOLID SEALING TECHNOLOGY IS PROHIBITED.



TITLE
9 PIN AIR/VACUUM PLUG



REV.	APP'D	DATE	SCALE 2.5:1	DIMENSIONS IN INCHES [mm]	DRAWN	MH	12/29/2020
A1	JF	1/13/2021	MSMM0126-11		ENG APPR.	JF	1/13/2021

PART NO. FA41187 REV. A

WWW.SOLIDSEALING.COM
SALES DWG NO. FA41187SL REV. A1

DIMENSIONS ARE FOR REFERENCE ONLY. UNLESS NOTED, NO TOLERANCES ARE IMPLIED. CONSULT SST TO DISCUSS YOUR SPECIFIC REQUIREMENTS.