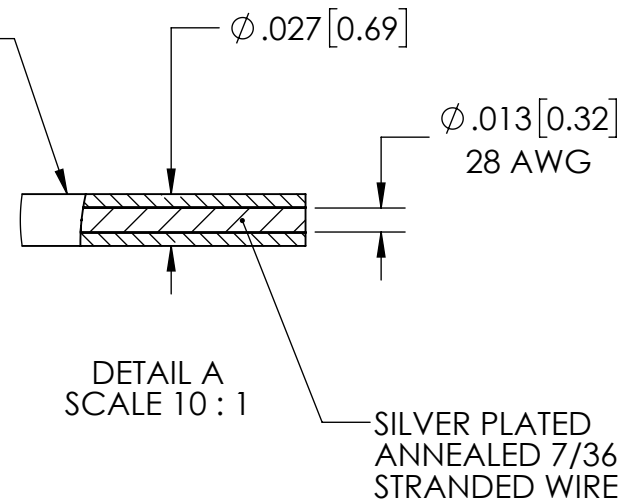


PTFE INSULATION
COLOR: SEE TABLE



DETAIL A
SCALE 10 : 1

SILVER PLATED
ANNEALED 7/36
STRANDED WIRE

PART NO.	INSULATON COLOR
FA42246	BLACK
FA42246-01	BROWN
FA42246-02	RED
FA42246-03	ORANGE
FA42246-04	YELLOW
FA42246-05	GREEN
FA42246-06	BLUE
FA42246-07	PURPLE
FA42246-08	GRAY
FA42246-09	WHITE

PERFORMANCE SPECIFICATIONS	
VOLTAGE:	250V RMS
TEMPERATURE:	-60°C TO 200°C

WIRE INSULATION IS AVAILABLE IN MULTIPLE COLORS, PART NUMBER SUFFIX INDICATES COLOR.

EXAMPLE: FA42246-05 IS A GREEN INSULATED 48 INCH LONG WIRE.

FOR USE WITH SST MICRO C AND MICRO D+ PRODUCT LINE.

PROPRIETARY AND CONFIDENTIAL THE INFORMATION CONTAINED IN THIS DRAWING IS THE SOLE PROPERTY OF SOLID SEALING TECHNOLOGY. ANY REPRODUCTION IN PART OR AS A WHOLE WITHOUT THE WRITTEN PERMISSION OF SOLID SEALING TECHNOLOGY IS PROHIBITED.				THIRD ANGLE PROJECTION 		TITLE PTFE INSULATED WIRE, 48 INCHES			
REV.	APP'D	DATE	SCALE 5:1	DIMENSIONS IN INCHES [mm]	DRAWN	CW	3/26/2021	PART NO. (SEE TABLE) REV. A	WWW.SOLIDSEALING.COM
A1	JF	04/20/2021	AHDWR027-11WB		ENG APPR.	JF	04/20/2021		SALES DWG NO. FA42246SL REV. A1

DIMENSIONS ARE FOR REFERENCE ONLY. UNLESS NOTED, NO TOLERANCES ARE IMPLIED. CONSULT SST TO DISCUSS YOUR SPECIFIC REQUIREMENTS.