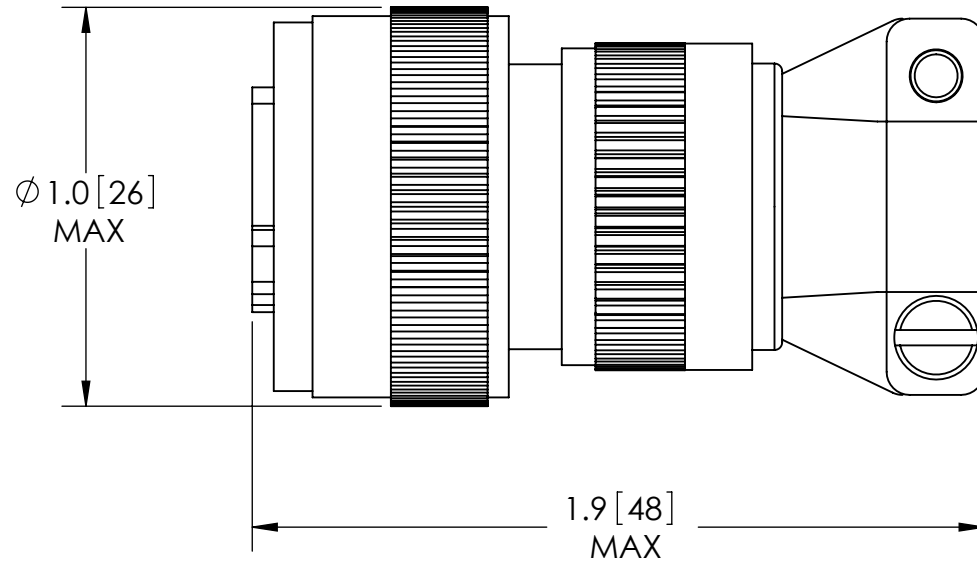
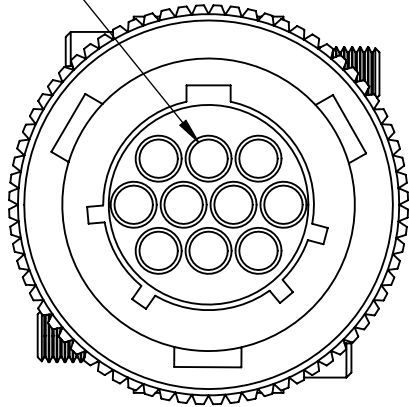
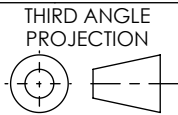


GOLD PLATED
SOLDER CUP
CONTACTS



PERFORMANCE SPECIFICATIONS	
VOLTAGE:	1 KV DC
CURRENT:	5 AMPS
TEMPERATURE:	-55°C TO 125°C

PROPRIETARY AND CONFIDENTIAL
THE INFORMATION CONTAINED IN THIS DRAWING IS THE SOLE PROPERTY OF SOLID SEALING TECHNOLOGY. ANY REPRODUCTION IN PART OR AS A WHOLE WITHOUT THE WRITTEN PERMISSION OF SOLID SEALING TECHNOLOGY IS PROHIBITED.



TITLE

10 PIN AIR SIDE PLUG



REV.	APP'D	DATE	SCALE 2:1	DIMENSIONS IN INCHES [mm]	DRAWN	JS	3/24/2008
A3	JF	07/02/2021	MSMM0021-12		ENG APPR.	MH	07/08/2008

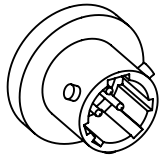
PART NO. FP14900 REV. A

WWW.SOLIDSEALING.COM

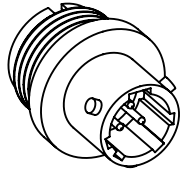
SALES DWG NO. FP14900SL REV. A3

DIMENSIONS ARE FOR REFERENCE ONLY. UNLESS NOTED, NO TOLERANCES ARE IMPLIED. CONSULT SST TO DISCUSS YOUR SPECIFIC REQUIREMENTS.

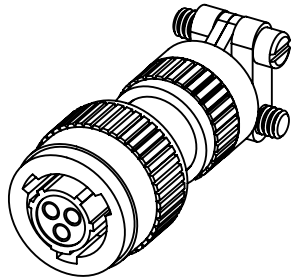
3 PINS



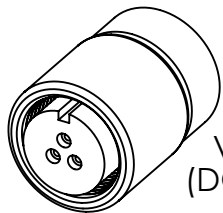
SINGLE ENDED
FEEDTHROUGH:
FA16820



DOUBLE ENDED
FEEDTHROUGH:
FA16822

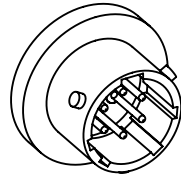


AIR SIDE PLUG (CRIMP): KT18063
AIR SIDE PLUG (SOLDER): FP18062

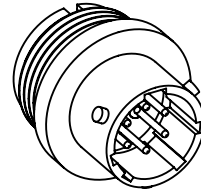


VACUUM SIDE PLUG
(DOUBLE ENDED ONLY):
FA18064

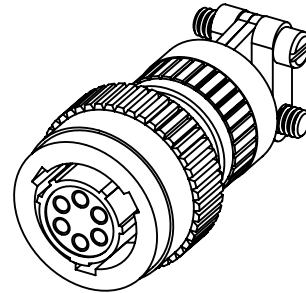
6 PINS



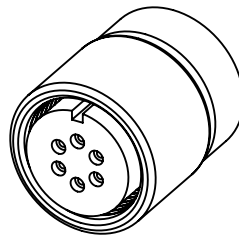
SINGLE ENDED
FEEDTHROUGH:
FA16808



DOUBLE ENDED
FEEDTHROUGH:
FA16809*



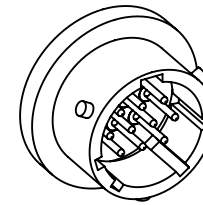
AIR SIDE PLUG (CRIMP): KT18065*
AIR SIDE PLUG (SOLDER): FP18066



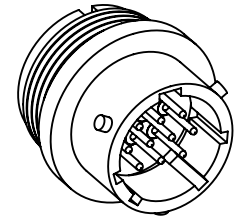
VACUUM SIDE PLUG
(DOUBLE ENDED ONLY):
FA18067*

*THERMOCOUPLE TYPE K
OPTION AVAILABLE

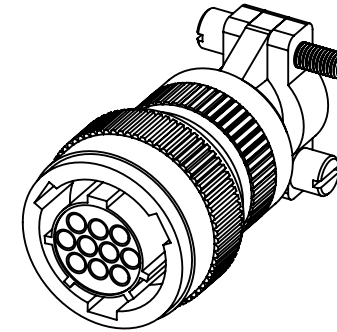
10 PINS



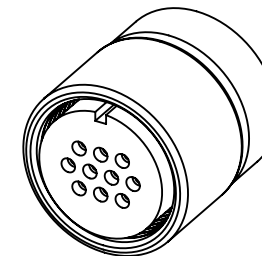
SINGLE ENDED
FEEDTHROUGH:
FA13003



DOUBLE ENDED
FEEDTHROUGH:
FA12933*



AIR SIDE PLUG (CRIMP): KT14378*
AIR SIDE PLUG (SOLDER): FP14900

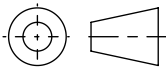


VACUUM SIDE PLUG
(DOUBLE ENDED ONLY):
FA13461*

PROPRIETARY AND CONFIDENTIAL

THE INFORMATION CONTAINED IN THIS DRAWING IS THE
SOLE PROPERTY OF SOLID SEALING TECHNOLOGY. ANY
REPRODUCTION IN PART OR AS A WHOLE WITHOUT THE WRITTEN
PERMISSION OF SOLID SEALING TECHNOLOGY IS PROHIBITED.

THIRD ANGLE
PROJECTION



TITLE

26482 SERIES FAMILY



SOLID SEALING
TECHNOLOGY

REV.	APP'D	DATE	SCALE 1:1	DIMENSIONS IN INCHES [mm]	DRAWN	CW	8/19/2021
A1	CW	1/27/2022	MPCL0163-11	ENG APPR.	JF	1/27/2022	

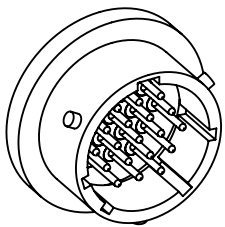
REV: A1

WWW.SOLIDSEALING.COM

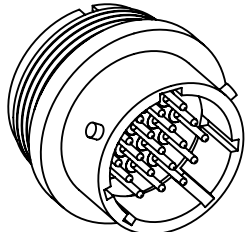
SALES DWG NO. 26482_SERIES REV. A1

DIMENSIONS ARE FOR REFERENCE ONLY. UNLESS NOTED, NO TOLERANCES ARE IMPLIED. CONSULT SST TO DISCUSS YOUR SPECIFIC REQUIREMENTS.

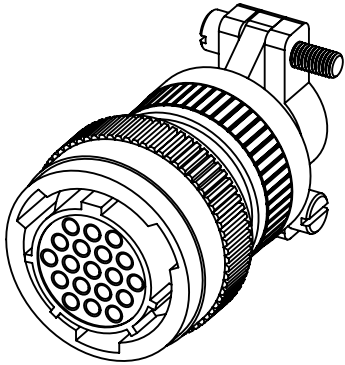
19 PINS



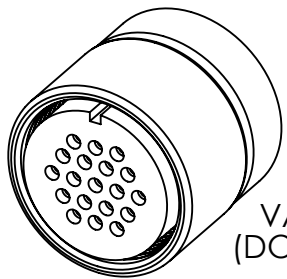
SINGLE ENDED
FEEDTHROUGH:
FA13002



DOUBLE ENDED
FEEDTHROUGH:
FA12932*

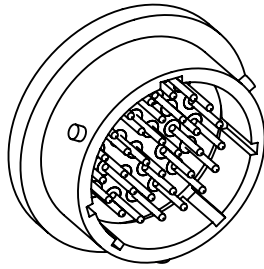


AIR SIDE PLUG (CRIMP): KT14379*
AIR SIDE PLUG (SOLDER): FP14901

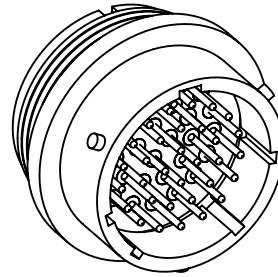


VACUUM SIDE PLUG
(DOUBLE ENDED ONLY):
FA13462*

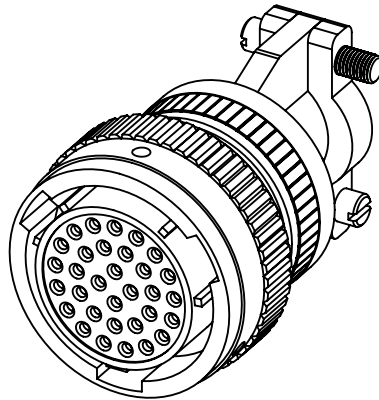
32 PINS



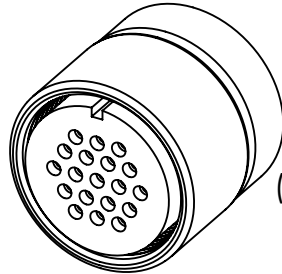
SINGLE ENDED
FEEDTHROUGH:
FA13001



DOUBLE ENDED
FEEDTHROUGH:
FA12931*



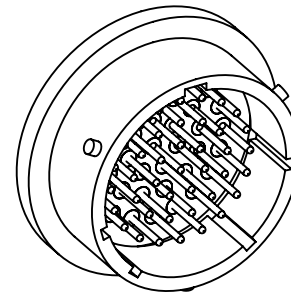
AIR SIDE PLUG (CRIMP): KT14380*
AIR SIDE PLUG (SOLDER): FP14902



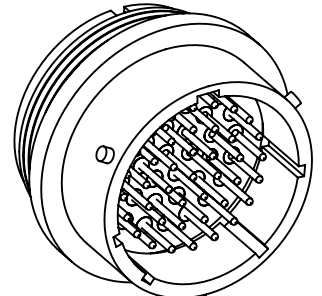
VACUUM SIDE PLUG
(DOUBLE ENDED ONLY):
FA13463*

*THERMOCOUPLE TYPE K
OPTION AVAILABLE

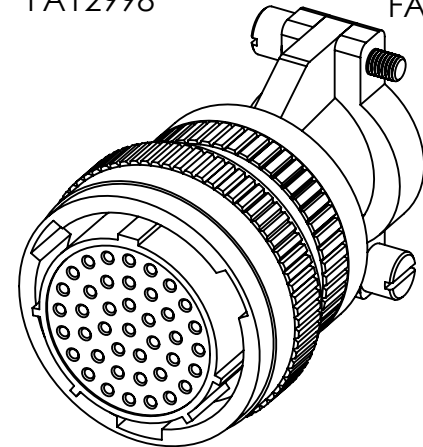
41 PINS



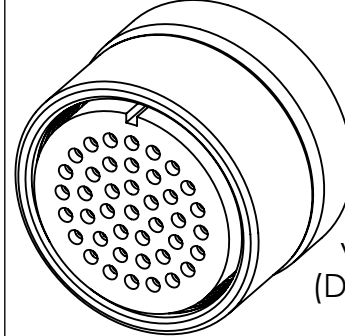
SINGLE ENDED
FEEDTHROUGH:
FA12998



DOUBLE ENDED
FEEDTHROUGH:
FA12930



AIR SIDE PLUG (CRIMP): KT14381
AIR SIDE PLUG (SOLDER): FP14903

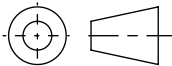


VACUUM SIDE PLUG
(DOUBLE ENDED ONLY):
FA13464

PROPRIETARY AND CONFIDENTIAL

THE INFORMATION CONTAINED IN THIS DRAWING IS THE
SOLE PROPERTY OF SOLID SEALING TECHNOLOGY. ANY
REPRODUCTION IN PART OR AS A WHOLE WITHOUT THE WRITTEN
PERMISSION OF SOLID SEALING TECHNOLOGY IS PROHIBITED.

THIRD ANGLE
PROJECTION



TITLE

26482 SERIES FAMILY



SOLID SEALING
TECHNOLOGY

REV.	APP'D	DATE	SCALE 1:1	DIMENSIONS IN INCHES [mm]	DRAWN	CW	8/19/2021
A1	CW	1/27/2022	MPCLO054-02		ENG APPR.	JF	1/27/2022

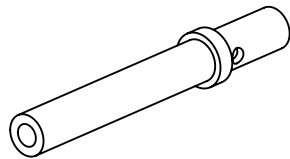
REV: A1

WWW.SOLIDSEALING.COM

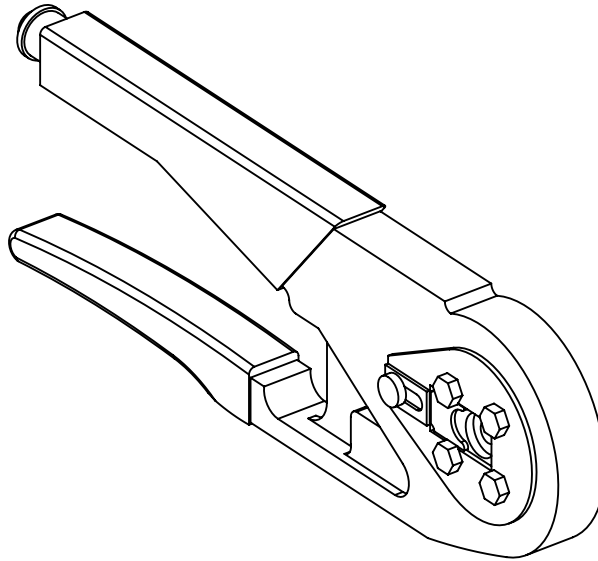
SALES DWG NO. 26482_SERIES REV. A1

DIMENSIONS ARE FOR REFERENCE ONLY. UNLESS NOTED, NO TOLERANCES ARE IMPLIED. CONSULT SST TO DISCUSS YOUR SPECIFIC REQUIREMENTS.

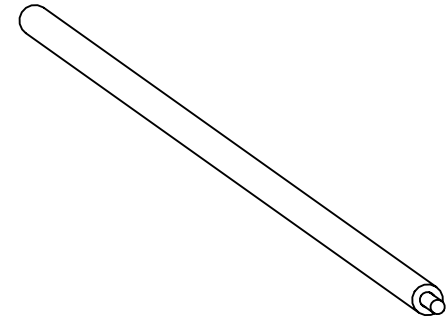
CONTACTS/WIRE



CRIMP CONTACTS
 KT13353 (COPPER ALLOY)
 KT13353-02 (CHROMEL)**
 KT13353-03 (ALUMEL)**
 KT13353-11 (COPPER ALLOY,
 NO COLOR BANDS)



CRIMP TOOL
 FP13347



22 AWG WIRE
 KAPTON
 (CUSTOM LENGTH AVAILABLE)
 FA15065

**THERMOCOUPLE TYPE K CRIMP CONTACTS

PROPRIETARY AND CONFIDENTIAL THE INFORMATION CONTAINED IN THIS DRAWING IS THE SOLE PROPERTY OF SOLID SEALING TECHNOLOGY. ANY REPRODUCTION IN PART OR AS A WHOLE WITHOUT THE WRITTEN PERMISSION OF SOLID SEALING TECHNOLOGY IS PROHIBITED.				THIRD ANGLE PROJECTION 		TITLE 26482 SERIES FAMILY			
REV.	APP'D	DATE	SCALE 1:1	DIMENSIONS IN INCHES [mm]	DRAWN	CW	8/19/2021	REV: A1	WWW.SOLIDSEALING.COM
A1	CW	1/27/2022	ACDCN010-1ST	ENG APPR.	JF	1/27/2022	SALES DWG NO. 26482_SERIES REV. A1		

DIMENSIONS ARE FOR REFERENCE ONLY. UNLESS NOTED, NO TOLERANCES ARE IMPLIED. CONSULT SST TO DISCUSS YOUR SPECIFIC REQUIREMENTS.