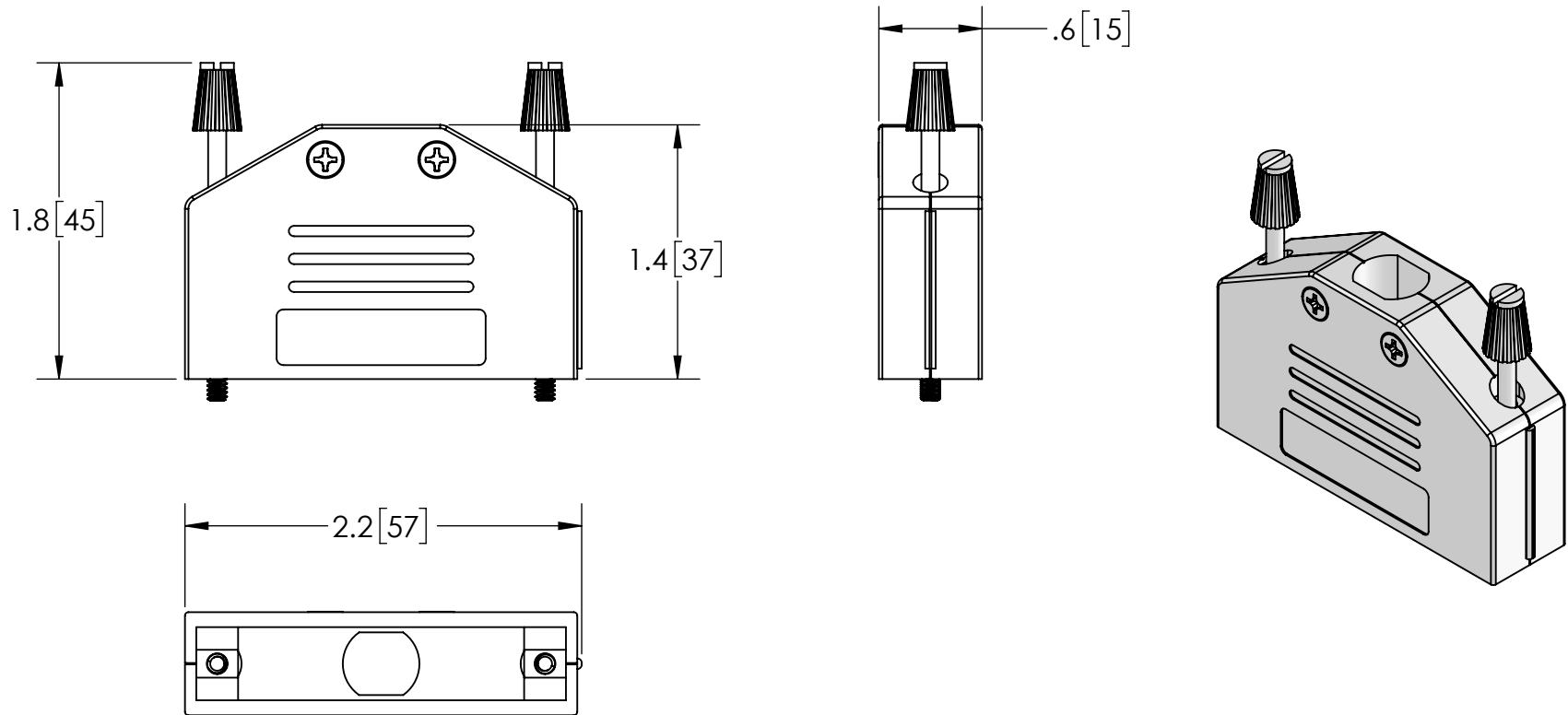


SPECIFICATIONS
BLACK PLASTIC HOOD - HINGED W 4-40 THREADED THUMBSCREWS



-FOR USE WITH AIR SIDE PLUG P/N FP39752

PERFORMANCE SPECIFICATIONS	
TEMPERATURE:	-50°C TO 105°C

PROPRIETARY AND CONFIDENTIAL THE INFORMATION CONTAINED IN THIS DRAWING IS THE SOLE PROPERTY OF SOLID SEALING TECHNOLOGY. ANY REPRODUCTION IN PART OR AS A WHOLE WITHOUT THE WRITTEN PERMISSION OF SOLID SEALING TECHNOLOGY IS PROHIBITED.				THIRD ANGLE PROJECTION 		TITLE SUB D AIR SIDE BACKSHELL			
REV.	APP'D	DATE	SCALE 1:1	DIMENSIONS IN INCHES [mm]	DRAWN	MH	11/22/2019	PART NO. FP16882 REV. B WWW.SOLIDSEALING.COM	
B1	CW	8/26/2022	FP16882-11		ENG APPR.	JF	11/26/2019		

DIMENSIONS ARE FOR REFERENCE ONLY. UNLESS NOTED, NO TOLERANCES ARE IMPLIED. CONSULT SST TO DISCUSS YOUR SPECIFIC REQUIREMENTS.