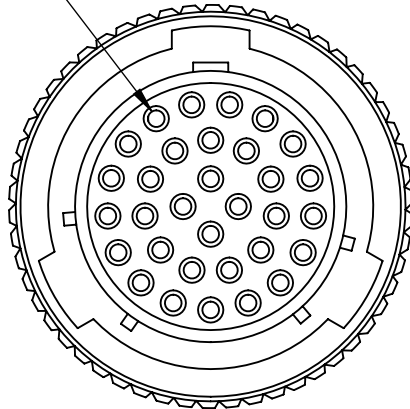
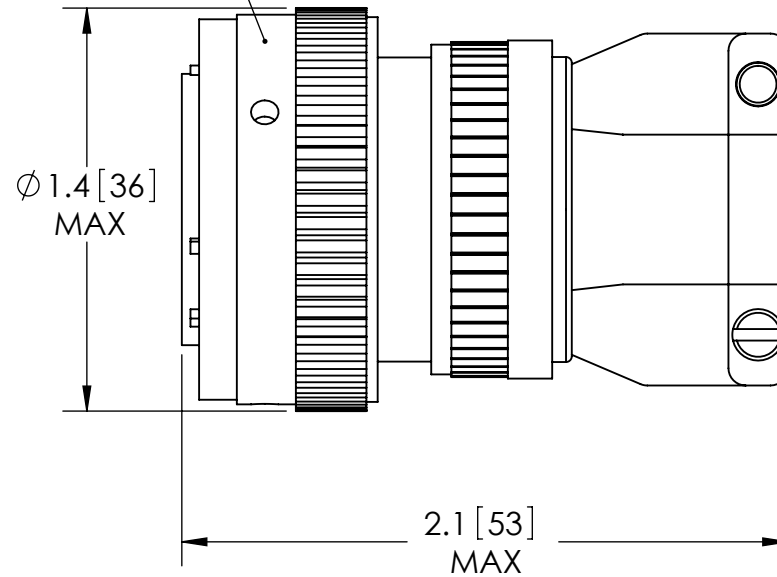


GOLD PLATED COPPER ALLOY  
CRIMP CONTACTS  
ACCEPTS 20-24 AWG WIRE



SILICONE RUBBER OR  
DIELECTRIC MATERIAL  
MEETING MIL-C-26482



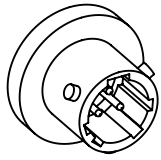
PERFORMANCE SPECIFICATIONS	
VOLTAGE:	1 KV DC
CURRENT:	3 AMPS
TEMPERATURE:	-55°C TO 200°C

REFER TO INSTRUCTION SHEET "NS18065" FOR PLUG ASSEMBLY INSTRUCTIONS.

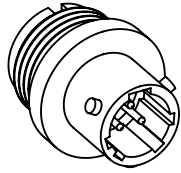
PROPRIETARY AND CONFIDENTIAL THE INFORMATION CONTAINED IN THIS DRAWING IS THE SOLE PROPERTY OF SOLID SEALING TECHNOLOGY. ANY REPRODUCTION IN PART OR AS A WHOLE WITHOUT THE WRITTEN PERMISSION OF SOLID SEALING TECHNOLOGY IS PROHIBITED.				THIRD ANGLE PROJECTION 		TITLE <b>32 PIN AIR SIDE PLUG MIL-C-26482</b>			
REV.	APP'D	DATE	SCALE 1.5:1	DIMENSIONS IN INCHES [mm]	DRAWN	JS	10/3/2007	PART NO. KT14380 REV. A WWW.SOLIDSEALING.COM	
A5	JF	07/02/2021	MSMM0019-11		ENG APPR.	MH	07/08/2008		

**DIMENSIONS ARE FOR REFERENCE ONLY. UNLESS NOTED, NO TOLERANCES ARE IMPLIED. CONSULT SST TO DISCUSS YOUR SPECIFIC REQUIREMENTS.**

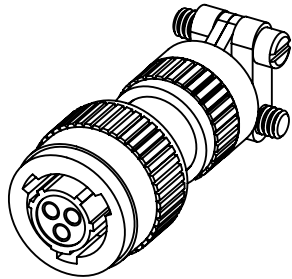
### 3 PINS



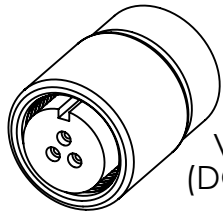
SINGLE ENDED  
FEEDTHROUGH:  
FA16820



DOUBLE ENDED  
FEEDTHROUGH:  
FA16822

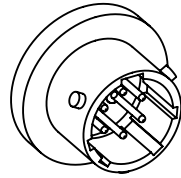


AIR SIDE PLUG (CRIMP): KT18063  
AIR SIDE PLUG (SOLDER): FP18062

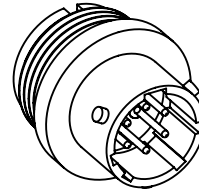


VACUUM SIDE PLUG  
(DOUBLE ENDED ONLY):  
FA18064

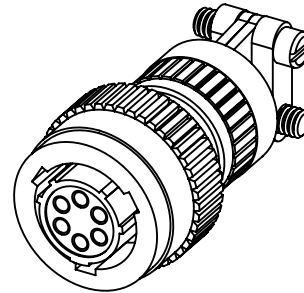
### 6 PINS



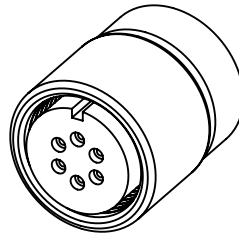
SINGLE ENDED  
FEEDTHROUGH:  
FA16808



DOUBLE ENDED  
FEEDTHROUGH:  
FA16809\*



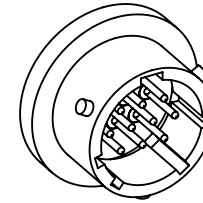
AIR SIDE PLUG (CRIMP): KT18065\*  
AIR SIDE PLUG (SOLDER): FP18066



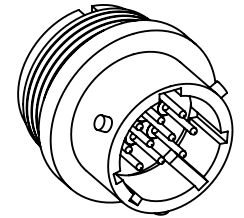
VACUUM SIDE PLUG  
(DOUBLE ENDED ONLY):  
FA18067\*

\*THERMOCOUPLE TYPE K  
OPTION AVAILABLE

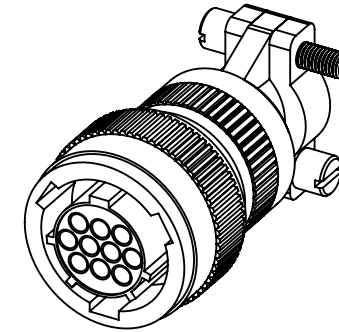
### 10 PINS



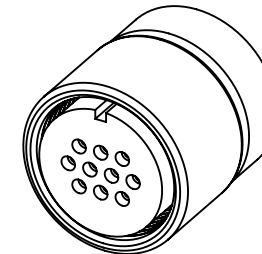
SINGLE ENDED  
FEEDTHROUGH:  
FA13003



DOUBLE ENDED  
FEEDTHROUGH:  
FA12933\*



AIR SIDE PLUG (CRIMP): KT14378\*  
AIR SIDE PLUG (SOLDER): FP14900

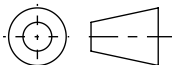


VACUUM SIDE PLUG  
(DOUBLE ENDED ONLY):  
FA13461\*

PROPRIETARY AND CONFIDENTIAL

THE INFORMATION CONTAINED IN THIS DRAWING IS THE  
SOLE PROPERTY OF SOLID SEALING TECHNOLOGY. ANY  
REPRODUCTION IN PART OR AS A WHOLE WITHOUT THE WRITTEN  
PERMISSION OF SOLID SEALING TECHNOLOGY IS PROHIBITED.

THIRD ANGLE  
PROJECTION



TITLE

26482 SERIES FAMILY



**SOLID SEALING**  
TECHNOLOGY

REV.	APP'D	DATE	SCALE 1:1	DIMENSIONS IN INCHES [mm]	DRAWN	CW	8/19/2021
A2	JF	01/22/2025	MPCL0163-11	ENG APPR.	JF	1/27/2022	

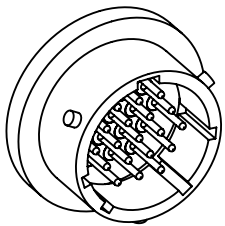
REV: A2

WWW.SOLIDSEALING.COM

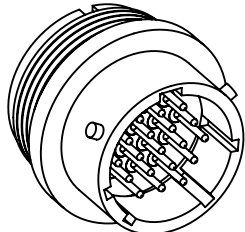
SALES DWG NO. 26482\_SERIES REV. A2

***DIMENSIONS ARE FOR REFERENCE ONLY. UNLESS NOTED, NO TOLERANCES ARE IMPLIED. CONSULT SST TO DISCUSS YOUR SPECIFIC REQUIREMENTS.***

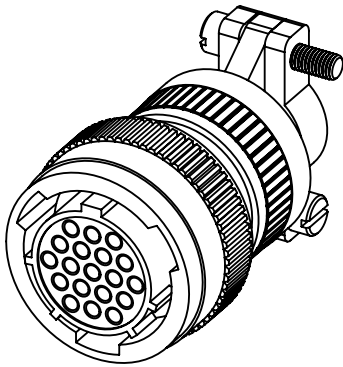
# 19 PINS



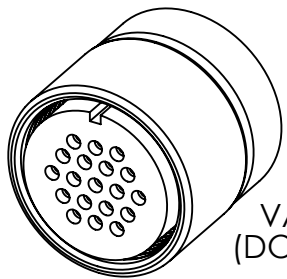
SINGLE ENDED  
FEEDTHROUGH:  
FA13002



DOUBLE ENDED  
FEEDTHROUGH:  
FA12932\*

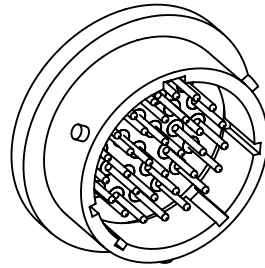


AIR SIDE PLUG (CRIMP): KT14379\*  
AIR SIDE PLUG (SOLDER): FP14901

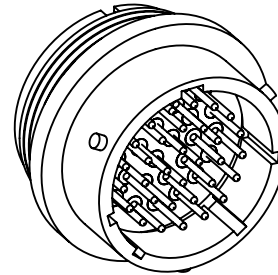


VACUUM SIDE PLUG  
(DOUBLE ENDED ONLY):  
FA13462\*

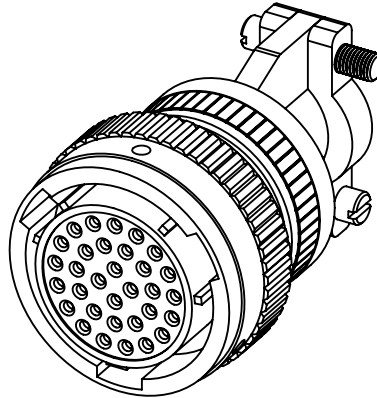
# 32 PINS



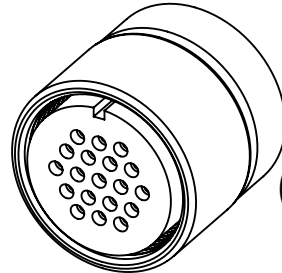
SINGLE ENDED  
FEEDTHROUGH:  
FA13001



DOUBLE ENDED  
FEEDTHROUGH:  
FA12931\*



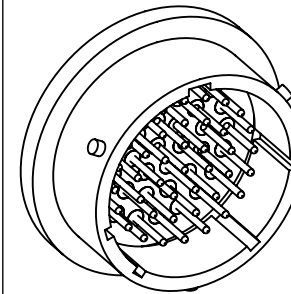
AIR SIDE PLUG (CRIMP): KT14380\*  
AIR SIDE PLUG (SOLDER): FP14902



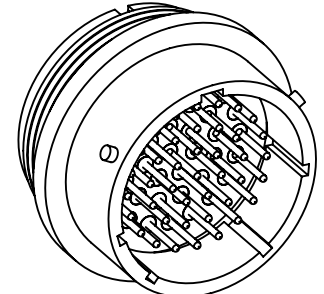
VACUUM SIDE PLUG  
(DOUBLE ENDED ONLY):  
FA13463\*

\*THERMOCOUPLE TYPE K  
OPTION AVAILABLE

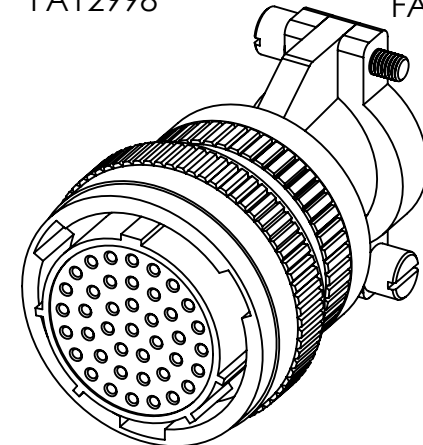
# 41 PINS



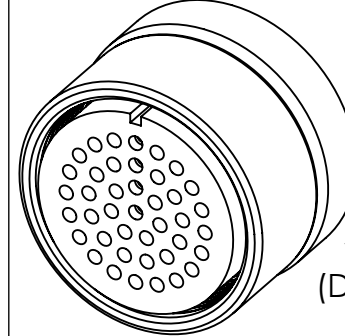
SINGLE ENDED  
FEEDTHROUGH:  
FA12998



DOUBLE ENDED  
FEEDTHROUGH:  
FA12930



AIR SIDE PLUG (CRIMP): KT14381  
AIR SIDE PLUG (SOLDER): FP14903

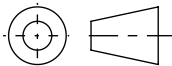


VACUUM SIDE PLUG  
(DOUBLE ENDED ONLY):  
FA13464

PROPRIETARY AND CONFIDENTIAL

THE INFORMATION CONTAINED IN THIS DRAWING IS THE  
SOLE PROPERTY OF SOLID SEALING TECHNOLOGY. ANY  
REPRODUCTION IN PART OR AS A WHOLE WITHOUT THE WRITTEN  
PERMISSION OF SOLID SEALING TECHNOLOGY IS PROHIBITED.

THIRD ANGLE  
PROJECTION



TITLE

26482 SERIES FAMILY



**SOLID SEALING**  
TECHNOLOGY

REV.	APP'D	DATE	SCALE 1:1	DIMENSIONS IN INCHES [mm]	DRAWN	CW	8/19/2021
A2	JF	01/22/2025	MPLC0054-02		ENG APPR.	JF	1/27/2022

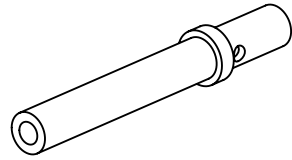
REV: A2

WWW.SOLIDSEALING.COM

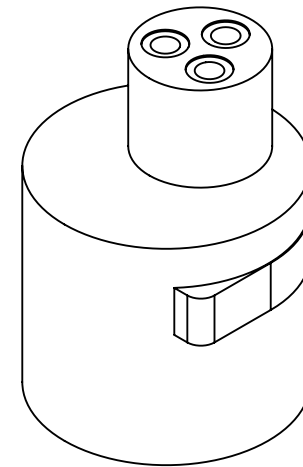
SALES DWG NO. 26482\_SERIES REV. A2

**DIMENSIONS ARE FOR REFERENCE ONLY. UNLESS NOTED, NO TOLERANCES ARE IMPLIED. CONSULT SST TO DISCUSS YOUR SPECIFIC REQUIREMENTS.**

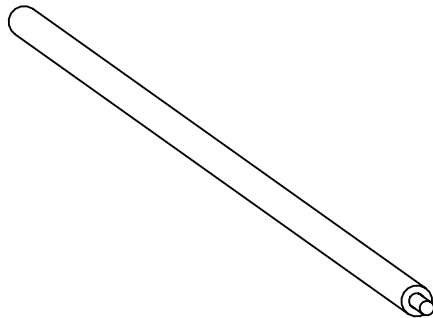
# CONTACTS/WIRE/CRIMP TOOL/LOCATOR



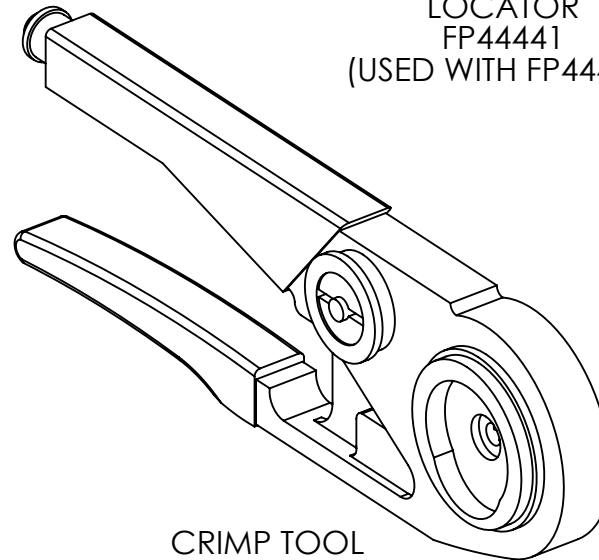
CRIMP CONTACTS  
 KT13353 (COPPER ALLOY)  
 KT13353-02 (CHROMEL)\*\*  
 KT13353-03 (ALUMEL)\*\*  
 KT13353-11 (COPPER ALLOY,  
 NO COLOR BANDS)



LOCATOR  
 FP44441  
 (USED WITH FP44440)



22 AWG WIRE  
 KAPTON  
 (CUSTOM LENGTHS AVAILABLE)  
 FA15065



CRIMP TOOL  
 FP44440

\*\*THERMOCOUPLE TYPE K CRIMP CONTACTS

PROPRIETARY AND CONFIDENTIAL THE INFORMATION CONTAINED IN THIS DRAWING IS THE SOLE PROPERTY OF SOLID SEALING TECHNOLOGY. ANY REPRODUCTION IN PART OR AS A WHOLE WITHOUT THE WRITTEN PERMISSION OF SOLID SEALING TECHNOLOGY IS PROHIBITED.				THIRD ANGLE PROJECTION 		TITLE 26482 SERIES FAMILY			
REV.	APP'D	DATE	SCALE 1:1	DIMENSIONS IN INCHES [mm]	DRAWN	CW	8/19/2021	REV: A2	WWW.SOLIDSEALING.COM
A2	JF	01/22/2025	ACDCN010-1ST	ENG APPR.	JF	1/27/2022	SALES DWG NO. 26482_SERIES REV. A2		

***DIMENSIONS ARE FOR REFERENCE ONLY. UNLESS NOTED, NO TOLERANCES ARE IMPLIED. CONSULT SST TO DISCUSS YOUR SPECIFIC REQUIREMENTS.***