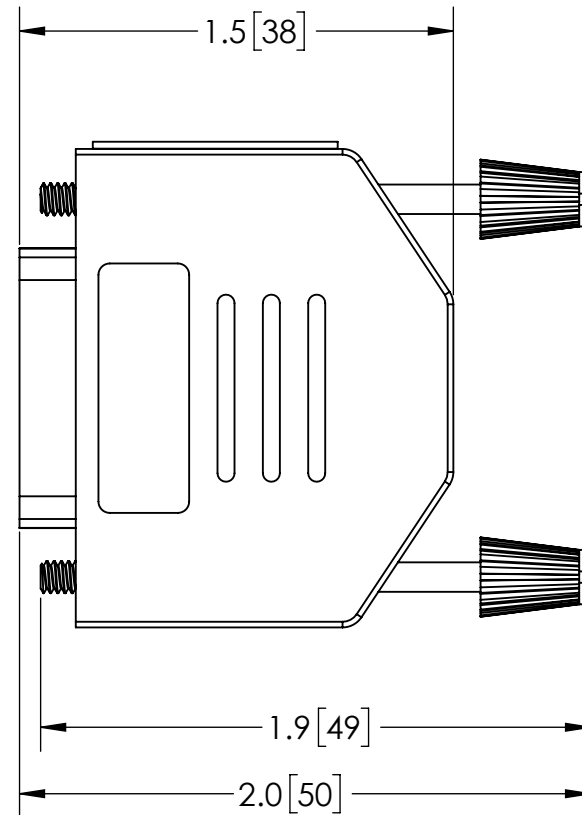
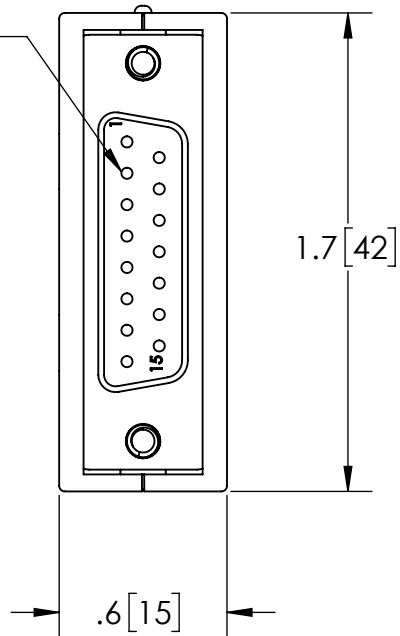


GOLD PLATED
SOLDER CUP
CONTACTS



SPECIFICATIONS
 STEEL SHELL W/ TIN PLATING
 GLASS FILLED THERMOPLASTIC INSULATOR, RATED UL94V-0
 BLACK PLASTIC HOOD - RATED UL94HB,
 HINGED W 4-40 THREADED THUMBSCREWS

PERFORMANCE SPECIFICATIONS	
VOLTAGE:	500 V DC
CURRENT:	5 AMPS
TEMPERATURE:	-50°C TO 105°C

PROPRIETARY AND CONFIDENTIAL THE INFORMATION CONTAINED IN THIS DRAWING IS THE SOLE PROPERTY OF SOLID SEALING TECHNOLOGY. ANY REPRODUCTION IN PART OR AS A WHOLE WITHOUT THE WRITTEN PERMISSION OF SOLID SEALING TECHNOLOGY IS PROHIBITED.				THIRD ANGLE PROJECTION 		TITLE 15 PIN SUB D AIR SIDE PLUG			
REV.	APP'D	DATE	SCALE 1.5:1	DIMENSIONS IN INCHES [mm]	DRAWN	JS	8/7/2007	PART NO. KT14877 REV. A	WWW.SOLIDSEALING.COM
A2	JF	07/29/2021	KT14877-11		ENG APPR.	MH	05/23/2008		SALES DWG NO. KT14877SL REV. A2

DIMENSIONS ARE FOR REFERENCE ONLY. UNLESS NOTED, NO TOLERANCES ARE IMPLIED. CONSULT SST TO DISCUSS YOUR SPECIFIC REQUIREMENTS.