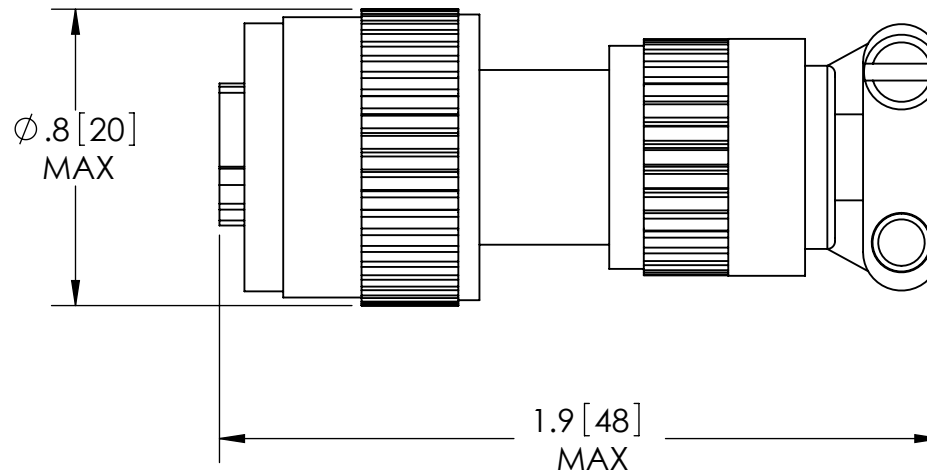
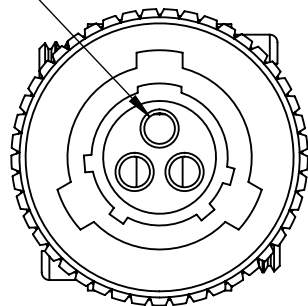


GOLD PLATED  
CRIMP CONTACTS



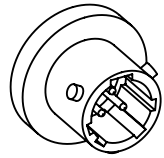
PERFORMANCE SPECIFICATIONS	
VOLTAGE:	1KV DC
CURRENT:	5 AMPS
TEMPERATURE:	-55°C TO 200°C

REFER TO INSTRUCTION SHEET "NS18065" FOR PLUG ASSEMBLY INSTRUCTIONS.

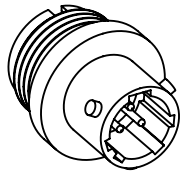
PROPRIETARY AND CONFIDENTIAL THE INFORMATION CONTAINED IN THIS DRAWING IS THE SOLE PROPERTY OF SOLID SEALING TECHNOLOGY. ANY REPRODUCTION IN PART OR AS A WHOLE WITHOUT THE WRITTEN PERMISSION OF SOLID SEALING TECHNOLOGY IS PROHIBITED.				THIRD ANGLE PROJECTION 		TITLE <b>3 PIN AIR SIDE PLUG</b>			
REV.	APP'D	DATE	SCALE 2:1	DIMENSIONS IN INCHES [mm]	DRAWN	JS	5/14/2008	PART NO. KT18063 REV. A	WWW.SOLIDSEALING.COM
A3	JF	07/06/2021	MSMM0025-11		ENG APPR.	JS	06/04/2010		SALES DWG NO. KT18063SL REV. A3

**DIMENSIONS ARE FOR REFERENCE ONLY. UNLESS NOTED, NO TOLERANCES ARE IMPLIED. CONSULT SST TO DISCUSS YOUR SPECIFIC REQUIREMENTS.**

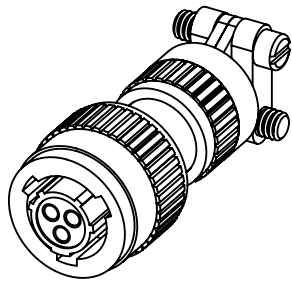
### 3 PINS



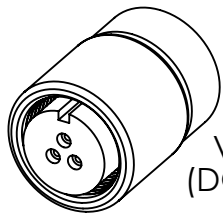
SINGLE ENDED  
FEEDTHROUGH:  
FA16820



DOUBLE ENDED  
FEEDTHROUGH:  
FA16822

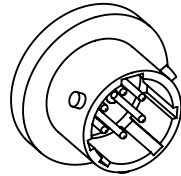


AIR SIDE PLUG (CRIMP): KT18063  
AIR SIDE PLUG (SOLDER): FP18062

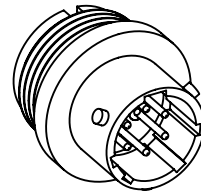


VACUUM SIDE PLUG  
(DOUBLE ENDED ONLY):  
FA18064

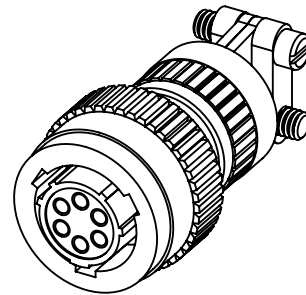
### 6 PINS



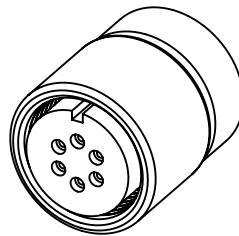
SINGLE ENDED  
FEEDTHROUGH:  
FA16808



DOUBLE ENDED  
FEEDTHROUGH:  
FA16809\*



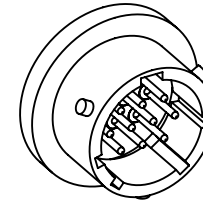
AIR SIDE PLUG (CRIMP): KT18065\*  
AIR SIDE PLUG (SOLDER): FP18066



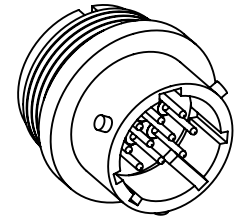
VACUUM SIDE PLUG  
(DOUBLE ENDED ONLY):  
FA18067\*

\*THERMOCOUPLE TYPE K  
OPTION AVAILABLE

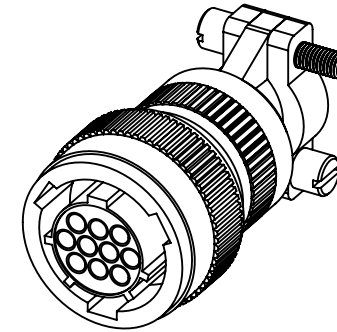
### 10 PINS



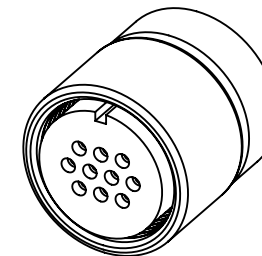
SINGLE ENDED  
FEEDTHROUGH:  
FA13003



DOUBLE ENDED  
FEEDTHROUGH:  
FA12933\*



AIR SIDE PLUG (CRIMP): KT14378\*  
AIR SIDE PLUG (SOLDER): FP14900

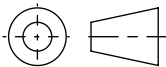


VACUUM SIDE PLUG  
(DOUBLE ENDED ONLY):  
FA13461\*

PROPRIETARY AND CONFIDENTIAL

THE INFORMATION CONTAINED IN THIS DRAWING IS THE  
SOLE PROPERTY OF SOLID SEALING TECHNOLOGY. ANY  
REPRODUCTION IN PART OR AS A WHOLE WITHOUT THE WRITTEN  
PERMISSION OF SOLID SEALING TECHNOLOGY IS PROHIBITED.

THIRD ANGLE  
PROJECTION



TITLE

26482 SERIES FAMILY



**SOLID SEALING**  
TECHNOLOGY

REV.	APP'D	DATE	SCALE 1:1	DIMENSIONS IN INCHES [mm]	DRAWN	CW	8/19/2021
A1	CW	1/27/2022	MPCL0163-11	ENG APPR.	JF	1/27/2022	

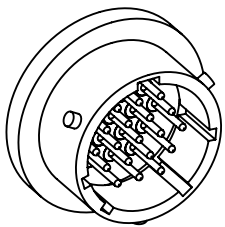
REV: A1

WWW.SOLIDSEALING.COM

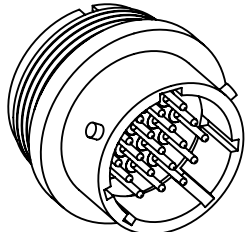
SALES DWG NO. 26482\_SERIES REV. A1

***DIMENSIONS ARE FOR REFERENCE ONLY. UNLESS NOTED, NO TOLERANCES ARE IMPLIED. CONSULT SST TO DISCUSS YOUR SPECIFIC REQUIREMENTS.***

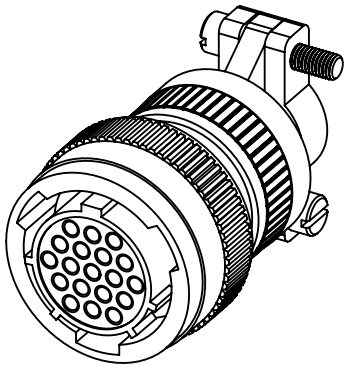
# 19 PINS



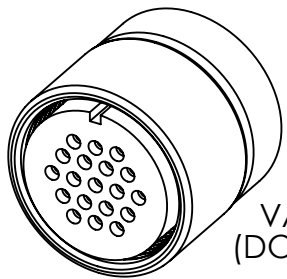
SINGLE ENDED  
FEEDTHROUGH:  
FA13002



DOUBLE ENDED  
FEEDTHROUGH:  
FA12932\*

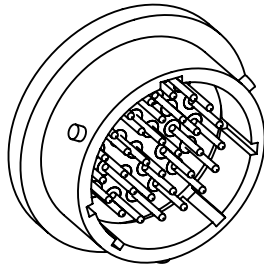


AIR SIDE PLUG (CRIMP): KT14379\*  
AIR SIDE PLUG (SOLDER): FP14901

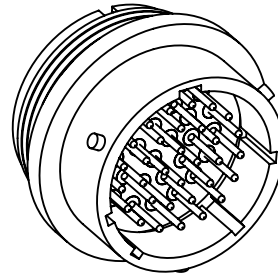


VACUUM SIDE PLUG  
(DOUBLE ENDED ONLY):  
FA13462\*

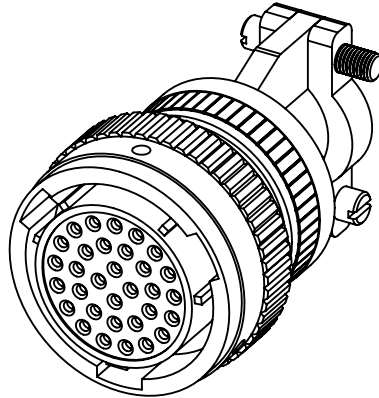
# 32 PINS



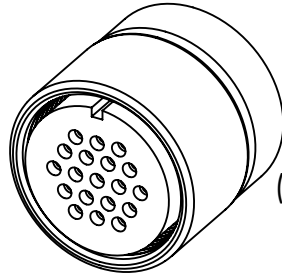
SINGLE ENDED  
FEEDTHROUGH:  
FA13001



DOUBLE ENDED  
FEEDTHROUGH:  
FA12931\*



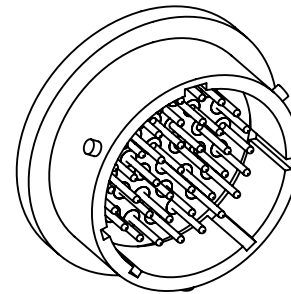
AIR SIDE PLUG (CRIMP): KT14380\*  
AIR SIDE PLUG (SOLDER): FP14902



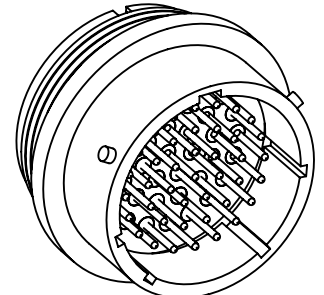
VACUUM SIDE PLUG  
(DOUBLE ENDED ONLY):  
FA13463\*

\*THERMOCOUPLE TYPE K  
OPTION AVAILABLE

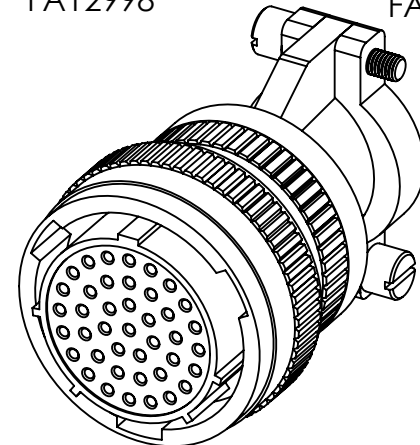
# 41 PINS



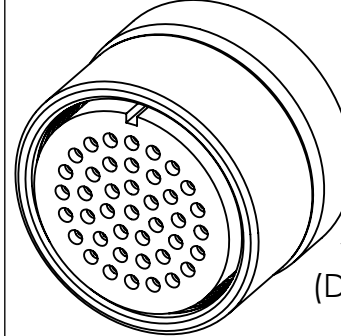
SINGLE ENDED  
FEEDTHROUGH:  
FA12998



DOUBLE ENDED  
FEEDTHROUGH:  
FA12930



AIR SIDE PLUG (CRIMP): KT14381  
AIR SIDE PLUG (SOLDER): FP14903

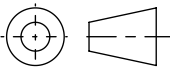


VACUUM SIDE PLUG  
(DOUBLE ENDED ONLY):  
FA13464

PROPRIETARY AND CONFIDENTIAL

THE INFORMATION CONTAINED IN THIS DRAWING IS THE  
SOLE PROPERTY OF SOLID SEALING TECHNOLOGY. ANY  
REPRODUCTION IN PART OR AS A WHOLE WITHOUT THE WRITTEN  
PERMISSION OF SOLID SEALING TECHNOLOGY IS PROHIBITED.

THIRD ANGLE  
PROJECTION



TITLE

26482 SERIES FAMILY



**SOLID SEALING**  
TECHNOLOGY

REV.	APP'D	DATE	SCALE 1:1	DIMENSIONS IN INCHES [mm]	DRAWN	CW	8/19/2021
A1	CW	1/27/2022	MPC0054-02		ENG APPR.	JF	1/27/2022

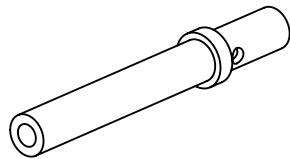
REV: A1

WWW.SOLIDSEALING.COM

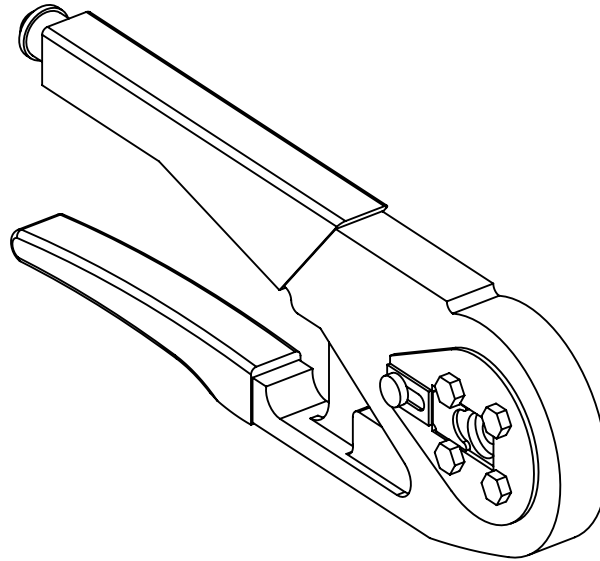
SALES DWG NO. 26482\_SERIES REV. A1

**DIMENSIONS ARE FOR REFERENCE ONLY. UNLESS NOTED, NO TOLERANCES ARE IMPLIED. CONSULT SST TO DISCUSS YOUR SPECIFIC REQUIREMENTS.**

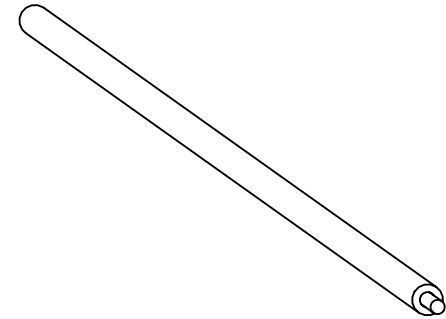
# CONTACTS/WIRE



CRIMP CONTACTS  
 KT13353 (COPPER ALLOY)  
 KT13353-02 (CHROMEL)\*\*  
 KT13353-03 (ALUMEL)\*\*  
 KT13353-11 (COPPER ALLOY,  
 NO COLOR BANDS)



CRIMP TOOL  
 FP13347



22 AWG WIRE  
 KAPTON  
 (CUSTOM LENGTH AVAILABLE)  
 FA15065

\*\*THERMOCOUPLE TYPE K CRIMP CONTACTS

PROPRIETARY AND CONFIDENTIAL THE INFORMATION CONTAINED IN THIS DRAWING IS THE SOLE PROPERTY OF SOLID SEALING TECHNOLOGY. ANY REPRODUCTION IN PART OR AS A WHOLE WITHOUT THE WRITTEN PERMISSION OF SOLID SEALING TECHNOLOGY IS PROHIBITED.				THIRD ANGLE PROJECTION 		TITLE 26482 SERIES FAMILY			
REV.	APP'D	DATE	SCALE 1:1	DIMENSIONS IN INCHES [mm]	DRAWN	CW	8/19/2021	REV: A1	WWW.SOLIDSEALING.COM
A1	CW	1/27/2022	ACDCN010-1ST	ENG APPR.	JF	1/27/2022	SALES DWG NO. 26482_SERIES REV. A1		

**DIMENSIONS ARE FOR REFERENCE ONLY. UNLESS NOTED, NO TOLERANCES ARE IMPLIED. CONSULT SST TO DISCUSS YOUR SPECIFIC REQUIREMENTS.**