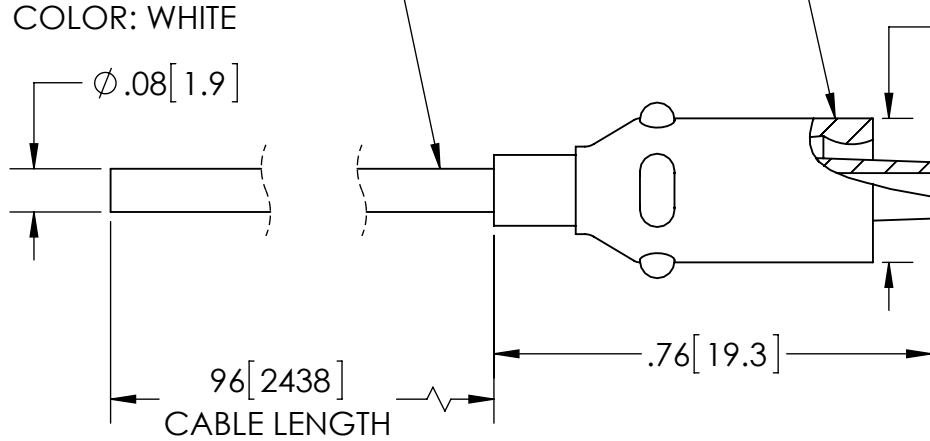
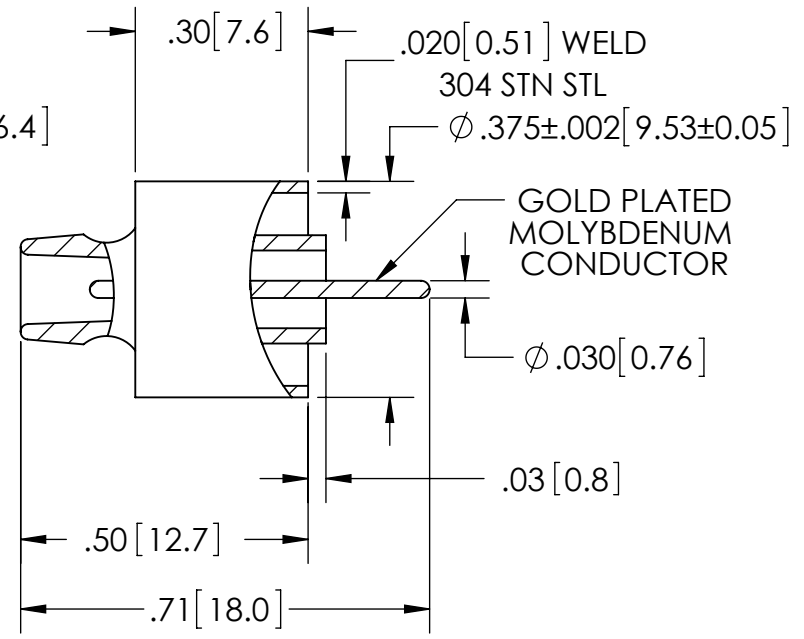


CABLE: 24 AWG
SILVER PLATED COPPER WIRE
WITH SILICONE
COATED F.E.P. INSULATION
COLOR: WHITE

PLUG BODY: MOLDED
SILICONE RUBBER



-AIR SIDE PLUG INCLUDED



RATINGS	
VOLTAGE:	12 KV DC
CURRENT:	3 AMPS
PRESSURE:	1400 PSIG @ 20°C
TEMPERATURE WITHOUT PLUG:	-269°C TO 450°C
TEMPERATURE WITH PLUG:	-55°C TO 125°C

WWW.SOLIDSEALING.COM



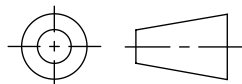
SOLID SEALING TECHNOLOGY, INC.

SALES DWG NO. KT19124SL REV. A2

PROPRIETARY AND CONFIDENTIAL

THE INFORMATION CONTAINED IN THIS DRAWING IS THE SOLE PROPERTY OF SOLID SEALING TECHNOLOGY. ANY REPRODUCTION IN PART OR AS A WHOLE WITHOUT THE WRITTEN PERMISSION OF SOLID SEALING TECHNOLOGY IS PROHIBITED.

THIRD ANGLE PROJECTION



TITLE:

12KV CONNECTOR

PART NO. KT19124 REV. A

REV.	APP'D	DATE	SCALE 3:1	DIMENSIONS IN INCHES [mm]	DRAWN	JS	1/27/2009
A2	JS	11/14/2013	FTMS0013-11		ENG APPR.	JS	10/24/2013

DIMENSIONS ARE FOR REFERENCE ONLY. UNLESS NOTED, NO TOLERANCES ARE IMPLIED. CONSULT SST TO DISCUSS YOUR SPECIFIC REQUIREMENTS.