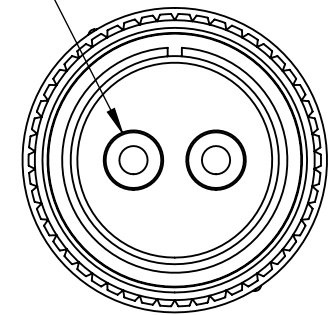
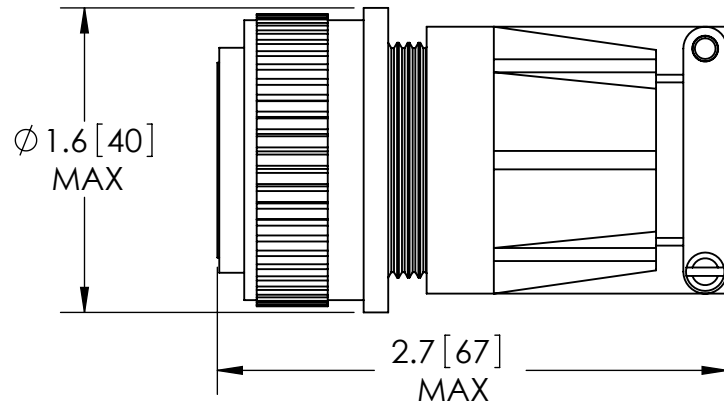


SILVER PLATED SIZE 8 CRIMP CONTACTS



ACCEPTS 8 AWG WIRE FOR CRIMP



RATINGS	
VOLTAGE:	1250 V DC
CURRENT @ ROOM TEMPERATURE:	69 AMPS
PRESSURE:	600 PSIG @ 20°C
TEMPERATURE WITHOUT PLUG:	-269°C TO 450°C
TEMPERATURE WITH PLUG:	-55°C TO 125°C

-AMPHENOL AMPHE-POWER ® SERIES STRAIGHT AIR SIDE PLUG INCLUDED.  
FOR INSTALLATION INSTRUCTIONS REFER TO AMPHENOL ® PUBLICATION L-757.

[WWW.SOLIDSEALING.COM](http://WWW.SOLIDSEALING.COM)

PROPRIETARY AND CONFIDENTIAL THE INFORMATION CONTAINED IN THIS DRAWING IS THE SOLE PROPERTY OF SOLID SEALING TECHNOLOGY. ANY REPRODUCTION IN PART OR AS A WHOLE WITHOUT THE WRITTEN PERMISSION OF SOLID SEALING TECHNOLOGY IS PROHIBITED.				
REV.	APP'D	DATE	SCALE 1:1	DIMENSIONS IN INCHES [mm]
B5	JF	09/12/2019	MPDP0087-11	

THIRD ANGLE PROJECTION		
DRAWN	JS	1/12/2009
ENG APPR.	MH	07/01/2009

TITLE:	TWO PIN CONNECTOR
PART NO.	KT19243 REV. B

**SOLID SEALING TECHNOLOGY, INC.**  
SALES DWG NO. KT19243SL REV. B5

**DIMENSIONS ARE FOR REFERENCE ONLY. UNLESS NOTED, NO TOLERANCES ARE IMPLIED. CONSULT SST TO DISCUSS YOUR SPECIFIC REQUIREMENTS.**