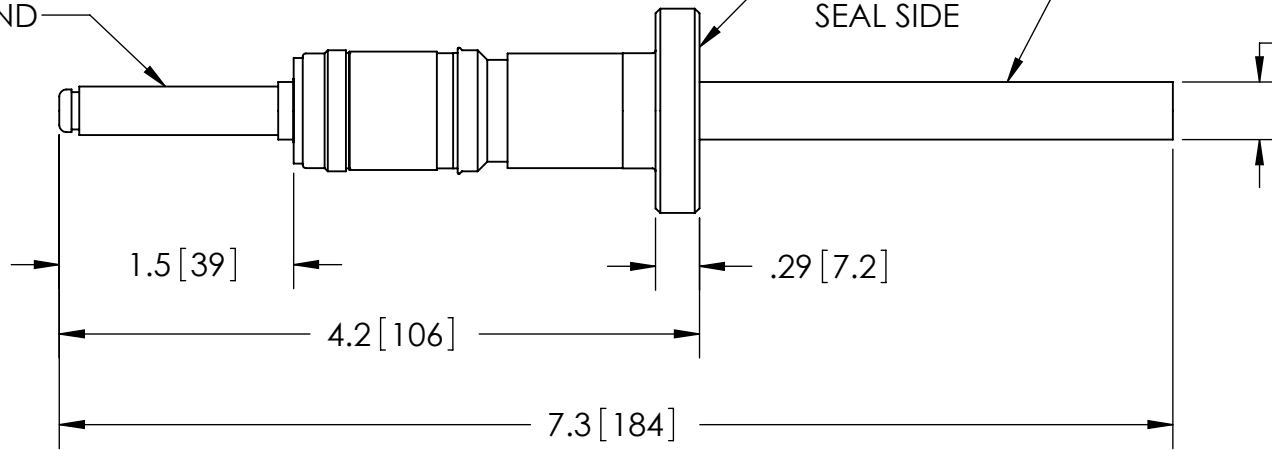


CONDUCTOR
SILVER PLATED
THIS END

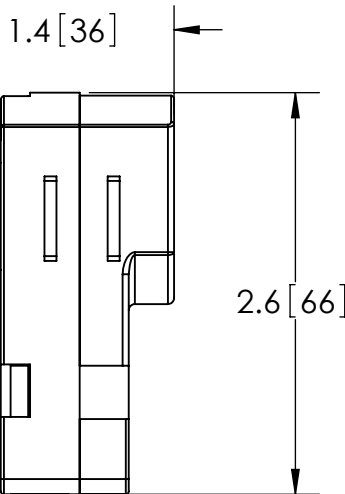
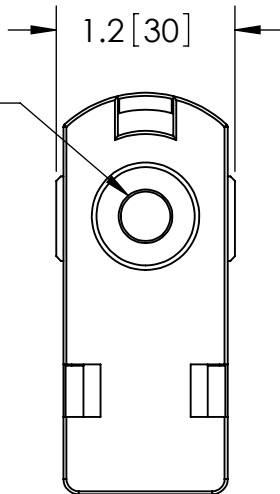
CF 1.33
SEAL SIDE

COPPER
CONDUCTOR

$\phi .375 [9.53]$



SILVER
PLATED
PUSH ON
CONTACT



RATINGS	
VOLTAGE:	2.5 KV DC
CURRENT:	200 AMPS
TEMPERATURE WITHOUT PLUG:	-269°C TO 450°C
TEMPERATURE WITH PLUG:	-55°C TO 125°C

-AIR SIDE PLUG INCLUDED

ACCEPTS
1 AWG WIRE
FOR CRIMP

WWW.SOLIDSEALING.COM



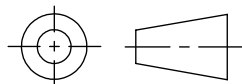
SOLID SEALING TECHNOLOGY, INC.

SALES DWG NO. KT20211SL REV. A3

PROPRIETARY AND CONFIDENTIAL

THE INFORMATION CONTAINED IN THIS DRAWING IS THE SOLE PROPERTY OF SOLID SEALING TECHNOLOGY. ANY REPRODUCTION IN PART OR AS A WHOLE WITHOUT THE WRITTEN PERMISSION OF SOLID SEALING TECHNOLOGY IS PROHIBITED.

THIRD ANGLE PROJECTION



TITLE:

ONE PIN CONNECTOR

PART NO. KT20211 REV. A

REV.	APP'D	DATE	SCALE 4:5	DIMENSIONS IN INCHES [mm]	DRAWN	JS	6/23/2009
A3	JS	01/28/2010	FTCL0140-11		ENG APPR.	MH	07/01/2009

DIMENSIONS ARE FOR REFERENCE ONLY. UNLESS NOTED, NO TOLERANCES ARE IMPLIED. CONSULT SST TO DISCUSS YOUR SPECIFIC REQUIREMENTS.