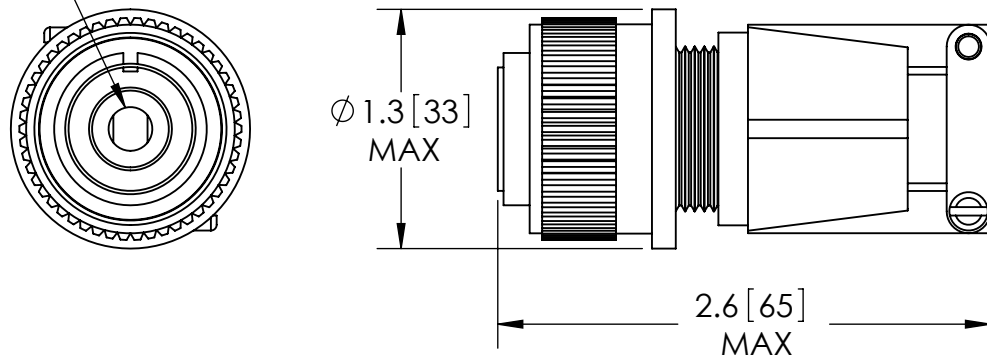


SILVER PLATED  
SIZE 4 CRIMP CONTACTS

ACCEPTS  
4 AWG WIRE  
FOR CRIMP



RATINGS	
VOLTAGE:	700 V DC
CURRENT @ ROOM TEMPERATURE:	120 AMPS
PRESSURE:	0 PSIG @ 20°C*
TEMPERATURE WITHOUT PLUG:	-25°C TO 205°C
TEMPERATURE WITH PLUG:	-25°C TO 125°C

\*FOR INTERNAL PRESSURE 5 TO 100 PSIG AN OVERPRESSURE RING IS REQUIRED.

-AMPHENOL AMPHE-POWER ® SERIES STRAIGHT AIR SIDE PLUG INCLUDED.  
FOR INSTALLATION INSTRUCTIONS REFER TO AMPHENOL ® PUBLICATION L-757.

[WWW.SOLIDSEALING.COM](http://WWW.SOLIDSEALING.COM)



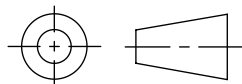
**SOLID SEALING TECHNOLOGY, INC.**

SALES DWG NO. KT20674SL REV. A5

PROPRIETARY AND CONFIDENTIAL

THE INFORMATION CONTAINED IN THIS DRAWING IS THE SOLE PROPERTY OF SOLID SEALING TECHNOLOGY. ANY REPRODUCTION IN PART OR AS A WHOLE WITHOUT THE WRITTEN PERMISSION OF SOLID SEALING TECHNOLOGY IS PROHIBITED.

THIRD ANGLE PROJECTION



TITLE:

ONE PIN CONNECTOR

PART NO. KT20674 REV. A

REV.	APP'D	DATE	SCALE 1:1	DIMENSIONS IN INCHES [mm]	DRAWN	JS	6/18/2009
A5	JF	09/12/2019	MPCL0279-12		ENG APPR.	MH	07/01/2009

**DIMENSIONS ARE FOR REFERENCE ONLY. UNLESS NOTED, NO TOLERANCES ARE IMPLIED. CONSULT SST TO DISCUSS YOUR SPECIFIC REQUIREMENTS.**