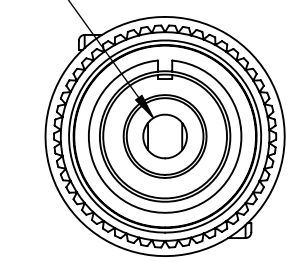
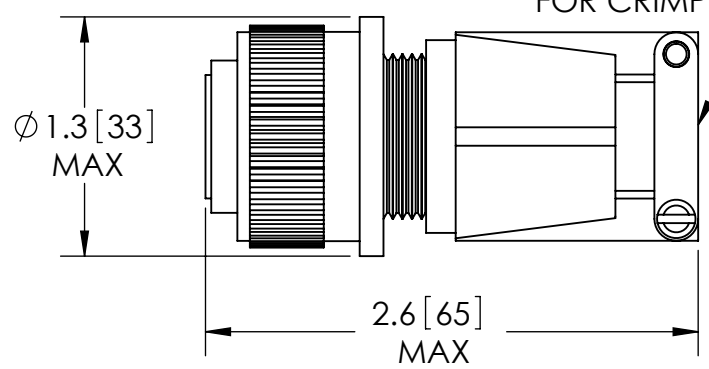


SILVER PLATED
SIZE 4 CRIMP CONTACTS



ACCEPTS
4 AWG WIRE
FOR CRIMP



RATINGS	
VOLTAGE:	700 V DC
CURRENT @ ROOM TEMPERATURE:	120 AMPS
PRESSURE:	0 PSIG @ 20°C*
TEMPERATURE WITHOUT PLUG:	-25°C TO 205°C
TEMPERATURE WITH PLUG:	-25°C TO 125°C

-AMPHENOL AMPHE-POWER ® SERIES STRAIGHT AIR SIDE PLUG INCLUDED.
FOR INSTALLATION INSTRUCTIONS REFER TO AMPHENOL ® PUBLICATION L-757.

*FOR INTERNAL PRESSURE 5 TO 100 PSIG
AN OVERPRESSURE RING IS REQUIRED.

WWW.SOLIDSEALING.COM



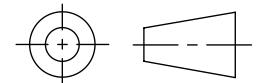
SOLID SEALING TECHNOLOGY, INC.

SALES DWG NO. KT20675SL REV. A5

PROPRIETARY AND CONFIDENTIAL

THE INFORMATION CONTAINED IN THIS DRAWING IS THE SOLE PROPERTY OF SOLID SEALING TECHNOLOGY. ANY REPRODUCTION IN PART OR AS A WHOLE WITHOUT THE WRITTEN PERMISSION OF SOLID SEALING TECHNOLOGY IS PROHIBITED.

THIRD ANGLE PROJECTION



TITLE:

ONE PIN CONNECTOR

PART NO. KT20675 REV. A

REV.	APP'D	DATE	SCALE 1:1	DIMENSIONS IN INCHES [mm]	DRAWN	JS	6/18/2009
A5	JF	09/12/2019	MPCL0279-14		ENG APPR.	MH	07/01/2009

DIMENSIONS ARE FOR REFERENCE ONLY. UNLESS NOTED, NO TOLERANCES ARE IMPLIED. CONSULT SST TO DISCUSS YOUR SPECIFIC REQUIREMENTS.